

# HabiStat



## Vivarium

## Assembly Instructions

# 4824

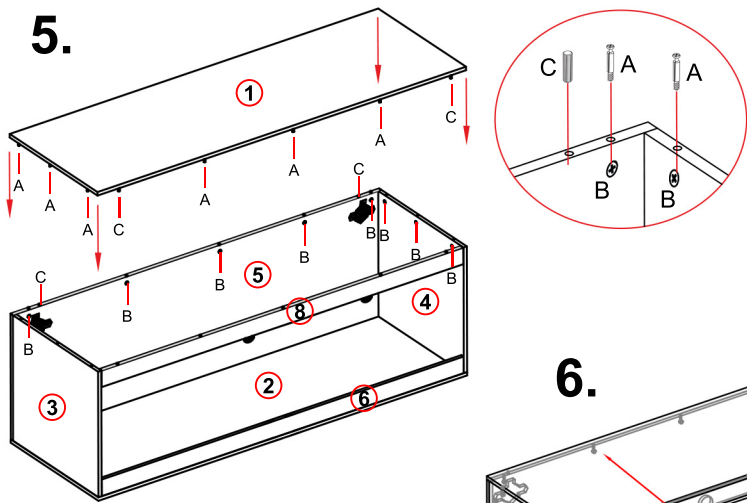
HV4824, HV4824B  
122 x 61 x 61cm  
48" x 24" x 24"



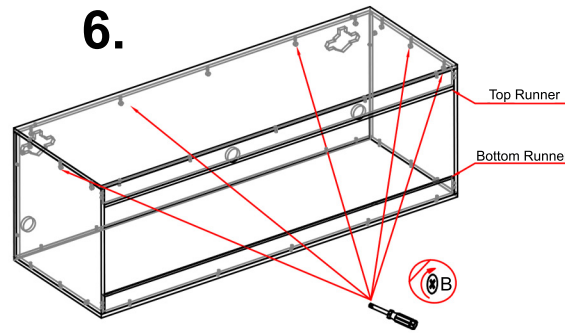
INFORMATION

Monkfield Nutrition Ltd, Arthur Rickwood Farm, Chatteris Road, Mepal, Ely, Cambridgeshire, CB6 2AZ  
www.habistat.com info@habistat.com

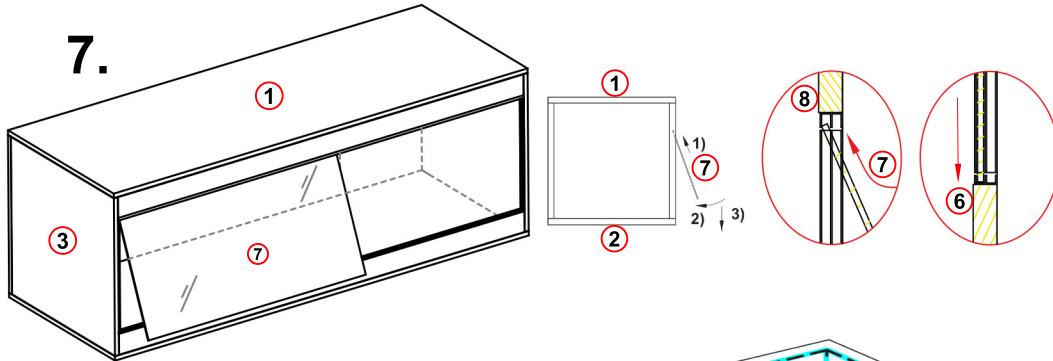
5.



6.



7.

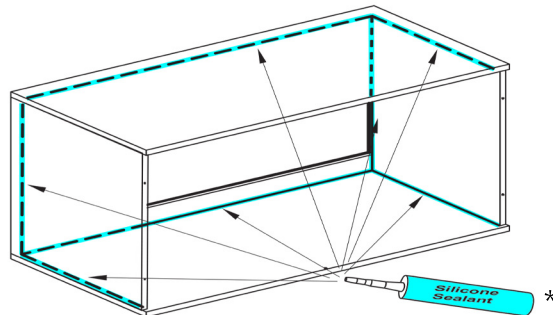


8.

(Optional)

If you are creating a humid environment we recommend sealing all the joints with a suitable silicone sealant.

\*Sold separately



# HabiStat Vivarium Assembly Instructions

Thank you for choosing a HabiStat product. Please read the instructions carefully and refer to diagrams before use. Retain all documents for future reference.

