

 **LumenIZE**®

App Controlled Lighting System

LEDBAR
SMART LED BAR

PROTS
SMART UVB KIT

UK Safety, Installation
and Maintenance
Instructions

DE Sicherheits-,
Installations- und
Wartungsanleitungen

FR Instructions de
sécurité, d'installation
et de maintenance

IT Istruzioni di sicurezza,
per l'installazione e la
manutenzione

ES Instrucciones de
seguridad, instalación
y mantenimiento

NL Veiligheids-,
installatie- en
onderhoudsinstructies

INTEGRATED • ZOOLOGICAL • ENVIRONMENTOLOGY



Download on the
App Store

GET IT ON
Google Play



App Controlled Lighting System

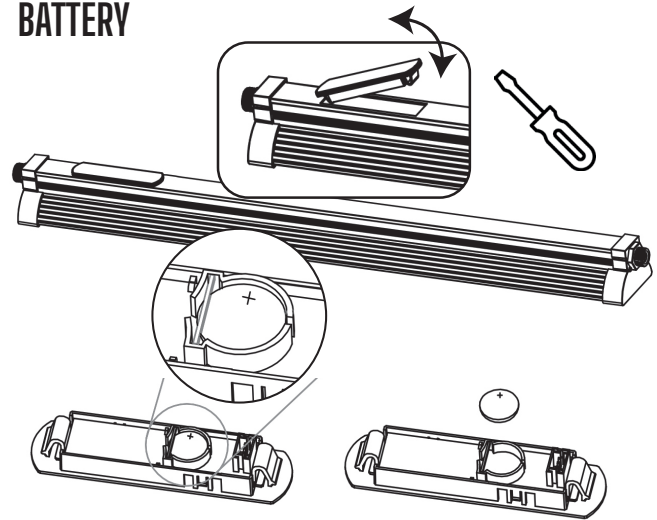
The LumenIZE APP provides wild-like energy for your species, incorporates automated dawn till dusk cycles, allows wild-like circadian rhythm and brings reptile keeping into the modern world. Integrated (no extra purchases needed), Zoological (The very best zoo standard lighting systems), Environmentology (the study of and replication of wild-like environments) Wild Re-Creation®.



Scan the QR Code to download the APP

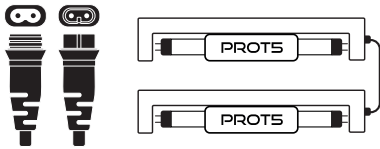


BATTERY

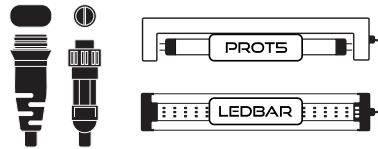


Code: CR1220
Dimensions: Ø12 x 2.0mm
Voltage: 3V

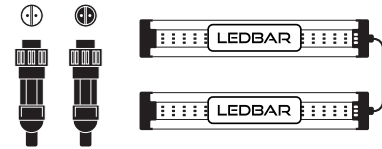
LINKING CABLES - 1.2M**



Code: RARLLC1
Barcode: 5018296000753

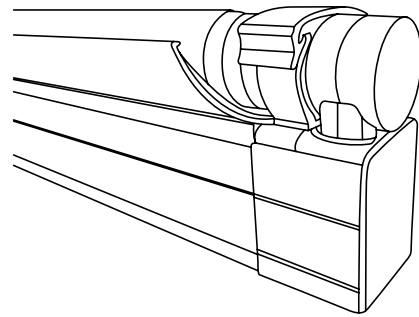
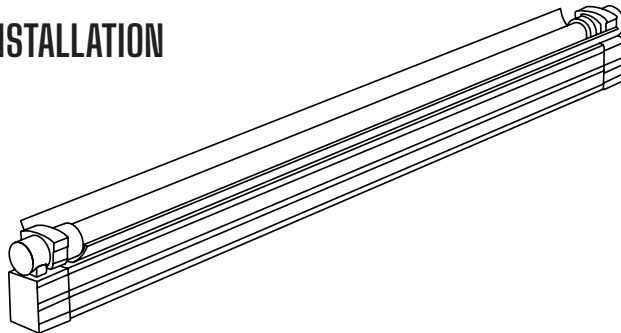


Code: RARLLC2
Barcode: 5018296000760

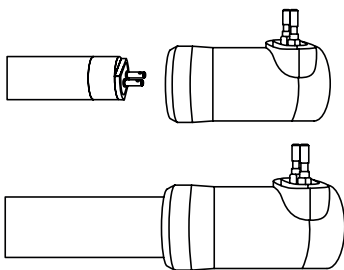


Code: RARLLC3
Barcode: 5018296000777

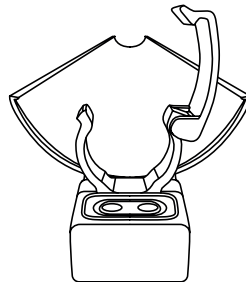
LAMP INSTALLATION



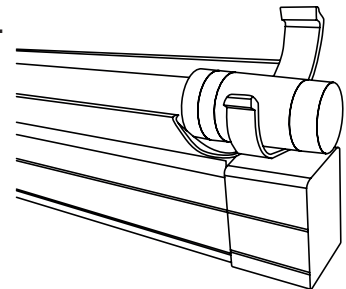
1.



2.



3.



LIGHTING GUIDE

www.arcadiareptile.com/lighting/guide/



LAMP REMINDER SERVICE

www.arcadiareptile.com/lamp-reminder/

LUMENIZE PRODUCT AND APP INSTRUCTIONS

DO NOT INSERT LAMPS OR LINK FURTHER KITS WITH THE POWER SWITCHED ON. RISK OF FAILURE NOT COVERED BY WARRANTY.

T5 lamp install. With the power cable removed unclick lamp locks and remove the rubber lamp-holders by gently pulling upwards. Plug these directly onto the T5 lamp taking care that the pins line up with the sockets inside of the lamp holders (do not force). When both lamp holders are fully pressed onto the lamp push them both into the LumenIZE T5 fitting together fully, being sure that the pins are lined up and pushed into the bar fully. Replace the lamp locking clips into the locked position.

Do not place heat lamps over or very closely to these lamps. Ensure adequate airflow around the lamps. This will help prolong life and running programmes.

The IP65 standard. IP65 denotes the tested level of water resistance that will protect the lamp and fitting from usual humidity, condensation, and dust. Arcadia Reptile T5 and JungleDawn-LED Bar 'LumenIZE' products have been tested to the IP65 standard and are classified as being 'water resistant'. Direct powerful spraying of the fittings must be avoided; However, the usual use of sprayers, humidifiers and rain systems is possible. Be careful to not place rain or fogging devices so that they emit over or directly onto the fittings. Do not submerge the fitting, protect from direct jets of water).

DO NOT USE WITH TIMERS IF THE PRODUCT IS CONNECTED TO THE APP, LumenIZE products when connected to the LumenIZE app have an inbuilt clock that has a battery back-up. If timers* are used this will remove all power from the fitting when off and needlessly drain the battery. *#thermostat light sockets, #smart, #mechanical, # digital. Connect directly to mains. Surge protectors are advised.

We advise that you open the app and open each lamp within the app monthly. This will send to the lamp up to date running data and also refresh the clock.

Open the app and connect to each kit if changing time zones, or for seasonal time changes. In doing so the app will send new data to the clock to each bar as you connect to them all individually.

Sunrise/sunset cycles can be programmed to suit your species locality. A good sample could look like this. 06.00 = 0%, 11am 100%, 3pm 100%, 7pm 0%. It is essential to bookend each cycle at 0%. In this way, between 6am and 11am the output of the lamp will increase from being off at 0% and 100% output very slowly until 11am. At 11am the lamp will be running at full power. We must then add in a stabilising time to maintain the midday sun output of 100%. It is by adding in a second time at 3pm of 100% we instruct the lamp to maintain 100% output between 11am and 3pm. From 3pm and until 7pm the output of the lamp will start to reduce very slowly until it finally reaches 7pm and the lamp will turn off fully. It is within a programme such as this that we find the most naturalistic sunrise sunset pattern, but also greatly reduce energy spend. If we programmed 05.59 at 0% and 6am 100% and 5.30pm 0% we would be programming an unnatural cycle. In this way the lamp would go from 0% to 100% between 06.00 and 06.01am. Then it would start to come down again from 100% at 6.01am and 0% at 5.30pm very slowly. There would be no sunrise and a very brief period of 100% output from 6am but decreasing from 06.02am.

LumenIZE uses true dimming, not stepped output, this process is more fluid in LED than T5 due to the nature of fluorescent lamps and the requirement for constant element heating. Internal clocks are accurate to 2 mins in average and should be refreshed by opening the lamp on the app monthly.

T5 lamps require a certain amount of energy to start safely. Therefore, with LumenIZE control we have programmed into the function of the fitting a 'safe start' mechanism. This is to protect the lamp, reduce rolling and ensure a long lamp and kit life. It is therefore advised that if programming a T5 lamp to run at a low % of output that you select a % that is over 20% of total output. This is automated when the programme is running. I.e you can programme a 0% to 100% reduction, and this will be operated safely by the internal programming via our safe-start function. It is not advised to run a time schedule that instructs a lamp to turn on and off again fully within a half an hour period or shorter. This may confuse the programming and the lamp will remain illuminated.

Linking; Both ProT5 and JungleDawn-LED Bar with LumenIZE ability can be linked with the addition of a suitable linking cable (sold separately). LumenIZE branded fittings cannot be mixed with non-LumenIZE ProT5/JungleDawn-LED Bar. LumenIZE ProT5 and JungleDawn-LED Bar use differing plugged connectors, the design is different due to IP65 waterproofing. As such 3 differing link cables are available separately. This will offer connection between T5 to T5 or LED to LED and T5 to LED. Please see data printed on the bar for the maximum number of bars that can be linked in a chain. Linking does NOT transfer LumenIZE programming from lamp to lamp. Each lamp is controlled via internal memory and as set via the Arcadia Reptile LumenIZE App. In this way, every lamp in a linked chain can have a different programme of function.

BASIC LUMENIZE APP CONTROL

The LumenIZE APP has been specifically designed to offer ease of control. The APP is very intuitive and does not have any wasteful or unrequired function. LumenIZE can be used with most phones and tablets. Use the QR code on the product box, links from our website or visit the App provider store on your device.

1. Download the LumenIZE APP via the QR code or search within your APP providers store.
2. Accept the pop up message that allows Bluetooth to function. Ensure that Bluetooth is switched on for your device before trying to connect to a lamp.
3. After installing the Arcadia Reptile LumenIZE lamp and with the power on, the APP should automatically display your lamp by wattage and type under 'Device name'. Press the screen within the lamp box and this will select the lamp for control and the APP screen will fill with data. If you 'press and hold' the lamps name, a pop-up will appear to allow you to change the lamp name. (you can add up to 50 lamps to one App). If your lamp does not automatically appear, please press the 'My Devices' button which will start a new scan.
4. If you press the 'full power test' button the lamp will dim to 0% and come back on again. This can help you find a lamp where many are used and can also be used to refresh lamps.
5. Next to the 'full power test' button is a 'cog'. Press this to set a password per lamp* may not be available on all devices.
6. You will see a slider central to the page. This allows you to both turn your LumenIZE cycle programme on/off but also to obtain manual control of a lamp. If the green button says 'on' this means that your pre-selected programme of dimming is running, and that the dimming slider is not operable. If the button says 'off' it means that the auto-run programme is 'off' and that the lamp is being controlled by hand by the slider. (please also see point 15)

7. LumenIZE has 2 pre-set 'Light cycles' should you wish to use them. Or you can create up to 5 custom settings of your choice for easy lamp control. Further to this, each lamp can have its own cycles programmed also should you so wish, (programming is internal to the lamp, not the device).
8. Setting up a bespoke programme is easy. Select the lamp that you wish to control. Press Custom mode 1-5. Press 'Add time slot'. Use the wheels to select your first time in the AM. This should be set via the slider to 0%. Press ok. Press 'Add time slot' and add in the time that you wish the lamp to be running at 100% (this maybe 12 midday or similar). Move the slider up to 100% in this time slot. Again, press 'add time slot' and repeat at 0% for lights out. You can have any variation and as many 'time slot' function commands as you wish. As example, you may wish to run at 50% out for a certain time, or to prolong periods of lower energy to provide seasonality. The choice is always yours with LumenIZE.
9. When you have set up the daily function that you wish to run it is easy to 'copy and paste' this to other lamps. Simply press 'Save schedule', select another lamp and press 'apply schedule'.
10. If you wish to delete a 'time slot', simply press and hold that time slot over the 'clock' and a 'delete time slot' button will appear.
11. Pressing 'brightness' at the bottom of the screen will show you a graph of your lighting pattern.
12. The 'My devices' button will scan for LumenIZE devices.
13. The 'My animals records' button is simply a page that allows you to make notes.
14. Refresh each lamp monthly by pressing on the lamp and using the 'full power test' button. This will refresh the programme and the internal clock.
15. If manual control is lost at any time please press the 'full power test' button 3 times and wait. Usually this is either a poor Bluetooth signal or the lamp is already midway through a process. Manual control will return when the process has completed. This is usually within 2 mins.
16. LumenIZE LED and HOT5 products are not compatible with the standard LED Bar and ProT5 kits for linking. The LumenIZE app does not add any control to the Non-LumenIZE range.
17. Password Reset; If you forget or lose a password for an individual kit you can reset the kit with a simple manual process. Turn the lamp on as usual, switch the kit off for 3 seconds, then on for 1 second, then off for 3 seconds, then on for 1 second, then off for 3 seconds. Repeat this pattern 3 times and this will restore the factory settings. This will reset the lamp that is being controlled with the switch, but will also reset ALL LAMPS in a chain if linked, please remove linking if you do not wish to reset all lamps in the chain.
18. Backup battery exchange; ProT5 and JungleDawn-LED Bars with integrated LumenIZE ability have been fitted with an internal battery back up. This simply means that the programs that you set via the LumenIZE app are stored within the lamp itself rather than on your device. This ensures continuing function of the program and clock in the event of a power failure or any phone issues. The lamp will not illuminate in the event of a localised power failure but the clock will continue to function. This means that when power is returned to the product the clock is still running and the lamp will carry on within the settings that you have created. If you choose to not use the product for any length of time and it is removed from power, the clock will continue to run which will drain the battery. You can stop this by using the reset function. The internal battery is a CR1220 standard cell. The average life of this battery is 2-3 years within normal function. The battery can however be replaced. Remove all power from the lamp (unplug). Being sure that the lamp is unplugged use a smooth flat tool to gently lift up the plastic cover from the top of the bar, taking care not to damage the seal. Lift the unit out carefully making sure that you do not stretch the wiring or touch the components. Remove and replace the battery. Making sure that the seal is in place, firmly replace the plastic cover into the unit, refresh your app and adjust any settings that may have been interrupted.
 - a. "The Bluetooth® word mark and logos are registered trademarks owned by Bluetooth SIG, Inc. The Auracast™ word mark and logos are trademarks owned by Bluetooth SIG, Inc. Any use of such marks by [licensee name] is under license. Other trademarks and trade names are those of their respective owners."
 - b. Apple: App Store is a trademark of Apple Inc., registered in the U.S. and other countries and regions. Google Play is a trademark of Google LLC.
 - c. LumenIZE product has been designed so that it can be used with or without use of the LumenIZE app. In this way new products can be switched on at a pre-set 100% output directly from the box. There is NO method to provide dimming control to this product outside of use of the LumenIZE app. Therefore, dimming is not functional. In order to benefit from programming the LumenIZE app should be used. If a previously used product is used then it will arrive with the pre-existing programme running internally as set from the previous use. This can be overridden by connecting the lamp to the LumenIZE App or via the 'restart' process given in point (17).
 - d. Arcadia, Arcadia Reptile, ProT5, JungleDawn, ShadeDweller, LumenIZE and Wild Re-Creation are all registered trademarks.
 - e. Energy efficiency. Over a range of live tests, we found that Product used with the LumenIZE App over a 9 hour cycle and with a 4 hour full 100% output saved 30% of electricity* used when compared non-dimming lamps used over the same period. The length of day cycle, graduation of dimming curve and period of running at 100% output will impact this average saving. * Quoted test 8w ShadeDweller-Pro. 100% output for 9 hours = 0.07kwh. 8w ShadeDweller-Pro with LumenIZE control = 0.05kwh. running at 246v 50hz. Measured with Ketotek meter.
 - f. The use of the Arcadia Reptile LumenIZE App is provided free of charge wherever possible*. The functions listed within this document have been tested on the majority of devices. However, we do not guarantee that every function will work as stated on every device or through every App programme provider. Please do use 'app updates' whenever they are shown in order to fix any bugs found and install any new function. Details of updates will be published on our websites or social media. Advice can be obtained from and bugs reported to info@arcadia-reptile.com App translations, we have an auto-detect programme within the App that should look for the most common language linked to your IP provider or device. These translations have been provided in good faith and to be as accurate as possible. It is not possible to select a language of your preference at this time. * We reserve the right to charge for certain additional optional function updates in the future.

SAFETY, INSTALLATION AND MAINTENANCE INSTRUCTIONS

KEEP THESE INSTRUCTIONS FOR FUTURE REFERENCE. READ AND FOLLOW ALL SAFETY INSTRUCTIONS.

DANGER - To avoid possible electric shock, special care should be taken if water is employed in the use of vivarium equipment. For each of the following situations, do not attempt repairs yourself; return the appliance to an authorised service facility or discard the appliance. This product is designed for indoor use and the illumination of Vivariums and Aviaris only and will provide a good and safe service life, provided that these instructions are followed. Failure to do so may result in serious personal injury or property damage. If you are in any doubt about the installation or operation of this product, please consult a qualified and experienced electrician. Check that the voltage and frequency rating on the product label is the same as your electrical supply before proceeding further.

WARNING - To guard against injury, basic safety precautions should be observed, including the following:

- Disconnect from the mains supply socket before maintaining the Luminaire. Never pull on the cord to remove the plug from the socket, instead grasp the plug and pull to disconnect.
- The Luminaire can get HOT. Never touch the Luminaire while it is operating, allow adequate time for it to cool before attempting any maintenance.
- This luminaire is rated IP65 water resistant, do not allow direct jets onto the unit or submerge. If electrical components of the appliance get wet unplug the appliance immediately. If the appliance shows any sign of water leakage disconnect from the power supply immediately.
- Do not use the appliance other than for its intended use. The use of non-Arcadia attachment or accessories is not recommended and may cause an unsafe condition.
- Do not install or store the appliance where it will be exposed to extremes of weather or temperatures below freezing.
- Do not operate the Luminaire with defective or faulty lamps – circuit damage may occur. Replace lamps promptly with a lamp of the correct type and wattage. It is advisable to keep spare lamps available.
- UV producing lamps are powerful devices which can lead to UV burns quickly. Please take care to not directly expose the skin to lamps when they are switched on.

LAMP INSTALLATION - Ensure lamps are of the correct type and wattage.

PHYSICAL INSTALLATION - Select a suitable site close to your electricity supply. Do not connect appliance to the mains supply socket during installation. This appliance is for indoor use only. Ensure the appliance is kept in a ventilated area and away from other heat sources. Make sure that the light from the appliance is aimed within the vivarium. Place the luminaire in the desired position either on top of the Vivarium mesh or screwed to the top of the Vivarium. Ensure the mains lead and the luminaire are kept well out of reach of animals that might bite or damage them.

ELECTRICAL INSTALLATION - Before installing, ensure that the rated voltage and frequency of the Luminaire match that of your power supply, and that the mains lead plug is fully compatible with your mains supply socket. If in doubt, please return the unit to the point of purchase for verification. Plug the luminaire into the mains socket.

TROUBLE SHOOTING - Lamps strike almost immediately at nearly full brightness (dependant on ambient temperature) and reach their operating temperature soon after. After switching the fluorescent lamps off, they can be switched on straight away. If the Luminaire does not light:

- Check that the mains power is connected and switched on both at the wall and on the Luminaire.
- Check that the Luminaire plug is properly fused.
- Check that the Luminaire is rated for the same supply voltage that you are using.
- Check that the Lamps are of the correct wattage, type and length for the Luminaire.
- Check that the lamps are installed correctly.
- Check App programming or use the override slider.

MAINTENANCE - Cleaning: Disconnect from the power supply and wait till the Luminaire is cool before cleaning, this not only avoids smears but also reduces the likelihood of any damage from moisture entering the Luminaire. Both the appearance and performance of your Luminaire can benefit from regular cleaning. A damp cloth is normally adequate to clean the body.

END OF USE RECYCLING INFORMATION - This product is covered by European Directive 2012/19/EU. Please do not dispose of this product or replacement lamps with your normal household waste. To safely and responsibly dispose of the product please ensure all the components are deposited in the appropriate areas of your local civic recycling centre. Proper disposal of this product helps to prevent potential negative consequences for the environment and human health. All electronic components (this includes the power supply and the lamp holder) should be placed in the electronic waste recycling area.

ProT5 - If a fluorescent lamp is provided with this product it contains mercury and cannot be disposed of with normal household waste; it should be deposited in the fluorescent lamp recycling area at your local civic recycling centre or taken to any approved recycling point for fluorescent lamps.

DE

LUMENIZE PRODUKT- UND APP-ANLEITUNG. INTEGRIERT, ZOOLOGISCH, UMWELTWISSENSCHAFTLICH.

SETZEN SIE KEINE LAMPEN EIN UND VERBINDEN SIE KEINE WEITEREN SÄTZE BEI EINGESCHALTETER STROMVERSORGUNG. DAS RISIKO EINES AUSFALLS IST NICHT DURCH DIE GARANTIE ABGEDECKT.

T5-Lampe einbauen. Lösen Sie bei abgezogenem Netzkabel die Lampenverriegelungen und entfernen Sie die Gummi-Lampenfassungen, indem Sie sie vorsichtig nach oben ziehen. Stecken Sie diese direkt auf die T5-Lampe und achten Sie darauf, dass die Stifte mit den Buchsen in den Lampenfassungen übereinstimmen (nicht mit Gewalt). Wenn beide Lampenhalterungen vollständig auf die Lampe gedrückt sind, schieben Sie beide zusammen in die LumenIZE T5-Armatur und achten Sie dabei darauf, dass die Stifte in einer Linie liegen und vollständig in die Leiste gedrückt werden. Bringen Sie die Lampenverriegelungsschloß wieder in die verriegelte Position.

Stellen Sie keine Wärmelampen über oder in unmittelbarer Nähe dieser Lampen auf. Sorgen Sie für einen ausreichenden Luftstrom um die Lampen herum. Dies trägt zur Verlängerung der Lebensdauer und der laufenden Programme bei.

Die IP65-Norm. IP65 bezeichnet den geprüften Grad der Wasserbeständigkeit, der die Lampe und die Leuchte vor üblicher Feuchtigkeit, Kondensation und Staub schützt. Arcadia Reptile T5 und JungleDawn-LED Bar 'LumenIZE' Produkte wurden nach der IP65-Norm getestet und sind als 'wasserfest' eingestuft. Ein direktes, starkes Besprühen der Leuchten muss vermieden werden; die übliche Verwendung von Sprühern, Befuchern und Regensystemen ist jedoch möglich. Achten Sie darauf, dass Regen- oder Nebelgeräte nicht über oder direkt auf die Armaturen gerichtet werden. Die Armatur nicht untertauchen, vor direktem Strahlwasser schützen.

NICHT MIT ZEITSCHALTUNGEN VERWENDEN, WENN DAS PRODUKT MIT DER APP VERBUNDEN IST. LumenIZE-Produkte, die mit der LumenIZE-App verbunden sind, verfügen über eine eingebaute Uhr, die über eine Notstromversorgung verfügt. Wenn Zeitschaltuhren* verwendet werden, wird der Leuchte im ausgeschalteten Zustand der gesamte Strom entzogen und die Batterie unnötig entladen. *#Thermostat-Lichtsteckdosen, #smart, #mechanisch, #digital. Direkt an das Stromnetz anschließen. Überspannungsschutz wird empfohlen.

Wir empfehlen Ihnen, die App zu öffnen und jede Lampe innerhalb der App monatlich zu öffnen. Dadurch werden aktuelle Betriebsdaten an die Lampe gesendet und die Uhr aktualisiert.

Öffnen Sie die App und stellen Sie eine Verbindung zu jedem Kit her, wenn Sie die Zeitzone

wechsellern oder saisonale Zeitänderungen vornehmen. Auf diese Weise sendet die App neue Daten an die Uhr jeder einzelnen Leiste, wenn Sie sich mit ihnen verbinden.

Die Zyklen von Sonnenaufgang und Sonnenuntergang können so programmiert werden, dass sie dem Standort Ihrer Art entsprechen. Ein gutes Beispiel könnte wie folgt aussehen. 06.00 Uhr = 0%, 11 Uhr 100%, 15 Uhr 100%, 19 Uhr 0%. Es ist wichtig, jeden Zyklus bei 0% zu beenden. Auf diese Weise steigt die Leistung der Lampe zwischen 6 Uhr und 11 Uhr von 0% und 100% sehr langsam bis 11 Uhr an. Um 11 Uhr läuft die Lampe dann mit voller Leistung. Dann muss eine Stabilisierungszeit eingefügt werden, um die Leistung der Mittagssonne von 100% aufrechtzuerhalten. Indem wir um 15 Uhr eine zweite Zeit von 100% hinzufügen, weisen wir die Lampe an, zwischen 11 Uhr und 15 Uhr 100% Leistung zu liefern. Ab 15.00 Uhr und bis 19.00 Uhr beginnt die Leistung der Lampe sehr langsam zu sinken, bis sie schließlich 19.00 Uhr erreicht und die Lampe vollständig ausgeschaltet wird. In einem solchen Programm finden wir das natürlichste Sonnenaufgangs-Sonnenuntergangs-Muster, aber auch eine erhebliche Reduzierung des Energieverbrauchs. Wenn wir 05.59 Uhr auf 0%, 6.00 Uhr auf 100% und 17.30 Uhr auf 0% programmieren würden, hätten wir einen unnatürlichen Zyklus. Auf diese Weise würde die Lampe zwischen 06.00 und 06.01 Uhr von 0% auf 100% steigen. Dann würde sie sehr langsam von 100% um 6.01 Uhr und 0% um 17.30 Uhr wieder heruntergehen. Es gäbe keinen Sonnenaufgang und einen sehr kurzen Zeitraum, in dem die Leistung ab 6.00 Uhr 100% beträgt und ab 06.02 Uhr abnimmt.

LumenIZE arbeitet mit echtem Dimmen und nicht mit stufenweiser Leistungsabgabe. Dieser Prozess ist bei LED-Lampen fließender als bei T5-Lampen, da Leuchtstofflampen eine konstante Erwärmung des Elements erfordern. Die internen Uhren sind im Durchschnitt auf 2 Minuten genau und sollten monatlich durch Öffnen der Lampe in der App aktualisiert werden.

T5-Lampen benötigen eine bestimmte Menge an Energie, um sicher zu starten. Daher haben wir bei der LumenIZE-Steuerung einen "sicheren Start" in die Funktion der Leuchte programmiert. Dies dient dem Schutz der Lampe, der Reduzierung des Rollens und der Gewährleistung einer langen Lebensdauer der Lampe und des Kits. Wenn Sie eine T5-Lampe so programmieren, dass sie mit einem geringen Prozentsatz der Leistung läuft, sollten Sie daher einen Prozentsatz wählen, der über 20% der Gesamtleistung liegt. Dies geschieht automatisch, wenn das Programm läuft. D.h. Sie können eine Reduzierung von 0% bis 100% programmieren, die von der internen Programmierung über unsere Safe-Start-Funktion sicher ausgeführt wird. Es ist nicht ratsam, einen Zeitplan zu erstellen, der eine Lampe anweist, sich innerhalb einer halben Stunde oder kürzer vollständig ein- und wieder auszuschalten. Dies könnte die Programmierung verwirren und die Lampe würde weiter leuchten.

Verkettung; Sowohl ProT5 als auch JungleDawn-LED-Bar mit LumenIZE-Fähigkeit können mit einem geeigneten Verbindungskabel (separat erhältlich) verkettet werden. LumenIZE-Markenarmaturen können nicht mit nicht-LumenIZE ProT5/JungleDawn-LED-Leisten kombiniert werden. LumenIZE ProT5 und JungleDawn-LED Bar verwenden unterschiedliche Steckverbindungen, die aufgrund der Wasserdichtigkeit nach IP65 anders gestaltet sind. Aus diesem Grund sind 3 verschiedene Verbindungskabel separat erhältlich. Diese ermöglichen die Verbindung von T5 zu T5 oder LED zu LED und T5 zu LED. Bitte beachten Sie die auf der Leiste aufgedruckten Daten für die maximale Anzahl von Leisten, die in einer Kette verbunden werden können. Durch die Verkettung wird die LumenIZE-Programmierung NICHT von Lampe zu Lampe übertragen. Jede Lampe wird über den internen Speicher gesteuert und über die Arcadia Reptile LumenIZE App eingestellt. Auf diese Weise kann jede Lampe in einer verketteten Kette ein anderes Funktionsprogramm haben.

GRUNDLEGENDE STEUERUNG DER LUMENIZE APP

Die LumenIZE APP wurde speziell entwickelt, um eine einfache Steuerung zu ermöglichen. Die APP ist sehr intuitiv und hat keine überflüssige oder nicht benötigte Funktion. LumenIZE kann mit den meisten Handys und Tablets verwendet werden. Verwenden Sie den QR-Code auf der Produktverpackung, die Links auf unserer Website oder besuchen Sie den Store des App-Anbieters auf Ihrem Gerät.

1. Laden Sie die LumenIZE APP über den QR-Code herunter oder suchen Sie im Store Ihres App-Anbieters.
2. Akzeptieren Sie die Pop-up-Meldung, die die Funktion von Bluetooth ermöglicht. Stellen Sie sicher, dass Bluetooth für Ihr Gerät eingeschaltet ist, bevor Sie versuchen, eine Verbindung zu einer Lampe herzustellen.
3. Nach der Installation der Arcadia Reptile LumenIZE-Lampe und bei eingeschalteter Stromversorgung sollte die APP Ihre Lampe automatisch nach Wattzahl und Typ unter "Gerätenamen" anzeigen. Drücken Sie auf den Bildschirm innerhalb des Lampenfeldes, um die Lampe für die Steuerung auszuwählen und der APP-Bildschirm füllt sich mit Daten. Wenn Sie den Lampennamen gedrückt halten, erscheint ein Pop-up-Fenster, in dem Sie den Lampennamen ändern können. (Sie können bis zu 50 Lampen zu einer App hinzufügen). Wenn Ihre Lampe nicht automatisch angezeigt wird, drücken Sie bitte auf die Schaltfläche "Meine Geräte", um eine neue Suche zu starten.
4. Wenn Sie die Taste "Voller Leistungstest" drücken, wird die Lampe auf 0% gedimmt und geht dann wieder an. Dies kann Ihnen helfen, eine Lampe zu finden, von denen viele verwendet werden, und kann auch zum Auffrischen von Lampen verwendet werden.
5. Neben der Taste "Voller Leistungstest" befindet sich ein "Zahnrad". Drücken Sie dieses, um ein Passwort pro Lampe festzulegen* ist möglicherweise nicht bei allen Geräten verfügbar.
6. Sie sehen einen Schieberegler in der Mitte der Seite. Damit können Sie Ihr LumenIZE-Zyklusprogramm ein- und ausschalten, aber auch eine Lampe manuell steuern. Wenn die grüne Taste auf "Ein" steht, bedeutet dies, dass Ihr vorgewähltes Dimm-Programm läuft und der Dimm-Schieberegler nicht betätigt werden kann. Steht auf der Taste "aus", bedeutet dies, dass das automatische Programm ausgeschaltet ist und die Lampe von Hand mit dem Schieberegler gesteuert wird. (siehe auch Punkt 15).
7. LumenIZE verfügt über 2 voreingestellte "Lichtzyklen", falls Sie diese verwenden möchten. Oder Sie können bis zu 5 benutzerdefinierte Einstellungen Ihrer Wahl für eine einfache Lampensteuerung erstellen. Darüber hinaus kann jede Lampe auch ihre eigenen Zyklen programmieren, wenn Sie dies wünschen (die Programmierung erfolgt intern in der Lampe, nicht im Gerät).
8. Es ist ganz einfach, ein maßgeschneidertes Programm zu erstellen. Wählen Sie die Lampe, die Sie steuern möchten. Drücken Sie Benutzerdefinierter Modus 1-5. Drücken Sie 'Zeitfenster hinzufügen'. Wählen Sie mit den Rädern die erste Zeit am Morgen. Diese sollte mit dem Schieberegler auf 0% eingestellt werden. Drücken Sie auf OK. Drücken Sie auf "Zeitfenster hinzufügen" und geben Sie die Zeit ein, zu der die Lampe auf 100% laufen soll (z. B. 12 Uhr mittags o. ä.). Bewegen Sie den Schieberegler in diesem Zeitfenster nach oben auf 100%. Drücken Sie erneut auf "Zeitfenster hinzufügen" und wiederholen Sie den Vorgang bei 0% für das Licht aus. Sie können beliebig variieren und so viele "Zeitfenster"-Funktionsbefehle verwenden, wie Sie möchten. So können Sie z. B. für eine bestimmte Zeit 50% ausschalten oder die Zeiträume mit geringerer Energiezufuhr verlängern, um die Jahreszeit zu berücksichtigen. Mit LumenIZE haben Sie immer die Wahl.
9. Wenn Sie die tägliche Funktion, die Sie ausführen möchten, eingerichtet haben, ist es einfach, diese auf andere Lampen zu übertragen. Drücken Sie einfach auf "Zeitplan speichern", wählen Sie eine andere Lampe aus und drücken Sie auf "Zeitplan anwenden".
10. Wenn Sie ein "Zeitfenster" löschen möchten, halten Sie es einfach über der "Uhr" gedrückt, woraufhin die Schaltfläche "Zeitfenster löschen" erscheint.
11. Wenn Sie unten auf dem Bildschirm auf "Helligkeit" drücken, wird Ihnen ein Diagramm mit Ihrem Beleuchtungsmuster angezeigt.

12. Die Schaltfläche "Meine Geräte" sucht nach LumenIZE-Geräten.
13. Die Schaltfläche "Meine Tierdatensätze" ist einfach eine Seite, auf der Sie Notizen machen können.
14. Aktualisieren Sie jede Lampe monatlich, indem Sie auf die Lampe drücken und die Taste "Full Power Test" betätigen. Dadurch werden das Programm und die interne Uhr aktualisiert.
15. Wenn die manuelle Steuerung zu irgendeinem Zeitpunkt verloren geht, drücken Sie bitte dreimal die Taste "Full Power Test" und warten Sie. In der Regel handelt es sich entweder um ein schlechtes Bluetooth-Signal oder die Lampe befindet sich bereits mitten in einem Prozess. Die manuelle Steuerung kehrt zurück, wenn der Vorgang abgeschlossen ist. Dies ist normalerweise innerhalb von 2 Minuten der Fall.
16. LumenIZE LED- und HOTS-Produkte sind nicht mit den Standard-LED-Bar- und ProT5-Kits zur Verknüpfung kompatibel. Die LumenIZE-App bietet keine zusätzlichen Steuerungsmöglichkeiten für die Nicht-LumenIZE-Produkte.
17. Passwort-Reset; Wenn Sie ein Passwort für ein einzelnes Kit vergessen oder verloren haben, können Sie das Kit mit einem einfachen manuellen Verfahren zurücksetzen. Schalten Sie die Lampe wie gewohnt ein, betätigen Sie dann den Netzschalter am Netzkabel und schalten Sie das Kit für 3 Sekunden aus, dann für 1 Sekunde ein, dann für 3 Sekunden aus, dann für 1 Sekunde ein und dann für 3 Sekunden aus. Wiederholen Sie dieses Muster 3 Mal, um die Werkseinstellungen wiederherzustellen. Dadurch wird die Lampe, die mit dem Schalter gesteuert wird, zurückgesetzt, aber es werden auch ALLE Lampen in einer Kette zurückgesetzt, wenn sie miteinander verbunden sind; bitte entfernen Sie die Verbindung, wenn Sie nicht alle Lampen in der Kette zurücksetzen möchten.
18. Austausch der Backup-Batterie; ProT5 und JungleDawn-LED-Balken mit integrierter LumenIZE-Funktion sind mit einer internen Backup-Batterie ausgestattet. Dies bedeutet einfach, dass die Programme, die Sie über die LumenIZE-App einstellen, in der Lampe selbst und nicht auf Ihrem Gerät gespeichert werden. Dadurch wird sichergestellt, dass das Programm und die Uhr auch bei einem Stromausfall oder Problemen mit dem Telefon weiter funktionieren. Bei einem lokalen Stromausfall leuchtet die Lampe nicht, aber die Uhr funktioniert weiter. Das bedeutet, dass die Uhr weiterläuft, wenn das Gerät wieder mit Strom versorgt wird, und dass die Lampe innerhalb der von Ihnen vorgenommenen Einstellungen weiterläuft. Wenn Sie das Gerät längere Zeit nicht benutzen und es von der Stromversorgung getrennt wird, läuft die Uhr weiter, wodurch die Batterie entladen wird. Sie können diesen Vorgang mit der Reset-Funktion stoppen. Die interne Batterie ist eine CR1220 Standardbatterie. Die durchschnittliche Lebensdauer dieser Batterie beträgt 2-3 Jahre bei normaler Funktion. Die Batterie kann jedoch ausgetauscht werden. Trennen Sie die Lampe vollständig vom Stromnetz (ziehen Sie den Stecker). Vergewissern Sie sich, dass die Lampe ausgesteckt ist, und heben Sie die Kunststoffabdeckung oben auf der Leiste mit einem glatten, flachen Werkzeug vorsichtig an, ohne die Dichtung zu beschädigen. Heben Sie das Gerät vorsichtig heraus und achten Sie darauf, dass Sie die Kabel nicht dehnen oder die Komponenten berühren. Entfernen und ersetzen Sie die Batterie. Vergewissern Sie sich, dass die Dichtung an ihrem Platz ist, setzen Sie die Kunststoffabdeckung wieder fest auf das Gerät, aktualisieren Sie Ihre App und passen Sie alle Einstellungen an, die möglicherweise unterbrochen wurden.
 - a. "Die Bluetooth®-Wortmarke und -Logos sind eingetragene Marken im Besitz von Bluetooth SIG, Inc. Die Auracast™-Wortmarke und -Logos sind Marken im Besitz von Bluetooth SIG, Inc. Jede Verwendung dieser Marken durch [Name des Lizenznehmers] erfolgt unter Lizenz. Andere Marken und Handelsnamen und Markennamen sind Eigentum der jeweiligen Inhaber."
 - b. Apple: App Store ist eine Marke von Apple Inc. und in den USA und anderen Ländern und Regionen eingetragen. Google Play ist eine Marke von Google LLC.
 - c. LumenIZE Produkt wurde so konzipiert, dass es mit oder ohne Verwendung der LumenIZE App verwendet werden kann. Auf diese Weise können neue Produkte direkt von der Box aus mit einer voreingestellten Leistung von 100 % eingeschaltet werden. Es gibt KEINE Methode, dieses Produkt außerhalb der LumenIZE-App zu dimmen. Daher ist das Dimmen nicht möglich. Um von der Programmierung zu profitieren, sollte die LumenIZE-App verwendet werden. Wenn ein zuvor verwendetes Produkt verwendet wird, wird es mit dem bereits vorhandenen Programm geliefert, das intern läuft, wie bei der vorherigen Verwendung eingestellt. Dies kann durch Verbinden der Lampe mit der LumenIZE App oder durch den unter Punkt (17) beschriebenen "Neustart" überschrieben werden.
 - d. Arcadia, Arcadia Reptile, ProT5, JungleDawn, ShadeDweller, LumenIZE und Wild Re-Creation sind alles eingetragene Marken.
 - e. Energie-Effizienz. In einer Reihe von Praxistests haben wir festgestellt, dass Produkte, die mit der LumenIZE App über einen 9-Stunden-Zyklus und mit einer 4-stündigen vollen 100%igen Leistung verwendet werden, 30% des Stromverbrauchs* im Vergleich zu nicht dimmbaren Lampen im selben Zeitraum einsparen. Die Länge des Tageszyklus, die Abstufung der Dimmkurve und die Dauer des Betriebs bei 100 % Leistung beeinflussen diese durchschnittliche Einsparung. * Zitiertes Test 8w ShadeDweller-Pro. 100% Leistung für 9 Stunden = 0,07kwh. 8w ShadeDweller-Pro mit LumenIZE-Steuerung = 0,05kwh. Betrieb bei 24v 50hz. Gemessen mit Ketotek-Messgerät.
 - f. Die Nutzung der Arcadia Reptile LumenIZE App ist nach Möglichkeit kostenlos*. Die in diesem Dokument aufgeführten Funktionen wurden auf der Mehrzahl der Geräte getestet. Wir können jedoch nicht garantieren, dass jede Funktion auf jedem Gerät oder über jeden App-Anbieter wie angegeben funktioniert. Bitte nutzen Sie "App-Updates", sobald diese angezeigt werden, um gefundene Fehler zu beheben und neue Funktionen zu installieren. Details zu den Updates werden auf unseren Webseiten oder in den sozialen Medien veröffentlicht. Ratschläge und Fehlermeldungen können an info@arcadiareptile.com gerichtet werden. App-Übersetzungen: Wir verfügen über ein automatisches Erkennungsprogramm innerhalb der App, das nach der am häufigsten verwendeten Sprache in Verbindung mit Ihrem IP-Provider oder Gerät sucht. Diese Übersetzungen wurden nach bestem Wissen und Gewissen erstellt und sollen so genau wie möglich sein. Es ist derzeit nicht möglich, die von Ihnen bevorzugte Sprache auszuwählen. * Wir behalten uns das Recht vor, für bestimmte zusätzliche optionale Funktionsupdates in Zukunft Gebühren zu erheben.

SICHERHEITS-, INSTALLATIONS- UND WARTUNGSANLEITUNGEN

BITTE DIESE ANLEITUNGEN ZUR SPÄTEREN BEZUGNAHME AUFBEWAHREN. ALLE SICHERHEITSANLEITUNGEN DURCHLESEN UND BEFOLGEN.

GEFAHR - Zur Vermeidung von Stromschlägen besondere Sorgfalt walten lassen, wenn beim Einsatz von Vivariumsgeräten Wasser benutzt wird. In folgenden Situationen keine eigenen Reparaturen vornehmen, sondern das Gerät immer an eine autorisierte Wartungsstelle schicken oder entsorgen: Dieses Produkt ist nur für die Verwendung in Innenräumen und die Beleuchtung von Vivarien und Volieren vorgesehen. Es bietet einen guten, sicheren Betrieb und eine lange Lebensdauer, sofern diese Anleitungen befolgt werden. Eine Missachtung der Anleitungen kann schwere Verletzungen oder Sachschäden zur Folge haben. Im Falle von Fragen zur Installation oder Verwendung dieses Produkts sollten Sie einen qualifizierten und erfahrenen Elektriker zu Rate ziehen. Bevor Sie fortfahren, sollten Sie sicherstellen, dass die Nennwerte für Spannung und Frequenz auf dem Produktschild mit Ihrer Stromversorgung übereinstimmen.

WARNUNG: - Um Verletzungen zu vermeiden, bitten wir Sie, die folgenden Sicherheitsmaßnahmen zu befolgen!

- Die Leuchte vor der Wartung vom Netzstrom trennen. Zum Trennen des Steckers von der Steckdose immer am Stecker und nicht am Kabel ziehen.
- Die Leuchte kann HEISS werden. Die Aufsetzleuchte während des Betriebs niemals berühren und vor Wartungsarbeiten genügend Zeit verstreichen lassen, bis die Leuchte sich abgekühlt hat.
- Diese Leuchte ist wasserdicht nach IP65. Vermeiden Sie direkte Wasserstrahlen auf das Gerät und tauchen Sie es nicht in Wasser ein.
- Wenn elektrische Teile des Gerätes nass werden, sofort den Stecker aus der Steckdose ziehen. Sollte das Gerät Anzeichen von Wasserundichte aufweisen, sofort den Stecker aus der Steckdose ziehen.
- Das Gerät nur für seinen vorgesehenen Zweck benutzen. Die Verwendung von Zubehör oder Anbaugeräten, die nicht von Arcadia verkauft werden, ist nicht empfehlenswert und kann zu einem unsicheren Betriebszustand führen.
- Das Gerät nicht an Orten installieren oder lagern, wo es Witterungseinflüssen oder Temperaturen unter dem Gefrierpunkt ausgesetzt ist.
- Die Leuchte nicht mit defekten oder schadhafte Lampen verwenden - das könnte die Elektrik beschädigen. Lampen umgehend durch ein neues Modell der korrekten Art und Wattzahl ersetzen. Es empfiehlt sich, Ersatzlampen vorrätig zu haben.
- UV-erzeugende Lampen sind leistungsstarke Geräte, die schnell zu UV-Verbrennungen führen können. Bitte achten Sie darauf, die Haut nicht direkt den eingeschalteten Lampen auszusetzen.

INSTALLATION DER LAMPE - Sicherstellen, dass Wattzahl und Typ der Leuchtstoffröhre richtig sind.

PHYSISCHE INSTALLATION - Einen geeigneten Standort in der Nähe Ihrer Stromversorgung wählen. Leuchte nicht während der Installation an den Netzstrom anschließen. Um eine maximale Lebensdauer der Leuchte zu gewährleisten, müssen die Netzkabel vor dem Anschließen an die Wand an die Leuchte angeschlossen werden. Stellen Sie sicher, dass das Gerät ausgeschaltet ist, bevor Sie die Lampe installieren. Dieses Produkt ist nur für die Verwendung in Innenräumen vorgesehen. Es muss in einem gut belüfteten Bereich und platziert und entfernt von anderen Hitzequellen gehalten werden. Sicherstellen, dass alles Licht der Leuchte nur in das Vivarium gerichtet ist. Die Leuchte in der gewünschten Position entweder auf das Vivariumsgitter setzen oder oben an das Vivarium schrauben. Sicherstellen, dass sich Netzkabel und Leuchte außer Reichweite von Tieren befinden, die diese Teile beißen oder beschädigen könnten.

ELEKTRISCHE INSTALLATION - Vor der Installation sicherstellen, dass die Nennwerte für Spannung und Frequenz der Leuchte mit denen Ihrer Stromversorgung übereinstimmen und dass der Netzstecker mit Ihrer Netzsteckdose kompatibel ist. Im Zweifelsfall entsprechende Informationen von Ihrem Händler einholen. Die Leuchte an den Netzstrom anschließen. Den Schalter an der Betriebseinheit zum Ein- und Ausschalten der Leuchte verwenden.

FEHLERBEHEBUNG - Leuchtstoffröhren erreichen fast sofort ihre volle Lichtleistung (je nach Umgebungstemperatur) und kurz danach ihre Betriebstemperatur. Nach dem Ausschalten können Leuchtstoffröhren sofort wieder eingeschaltet werden. Die Leuchte brennt nicht:

- Überprüfen, dass die Stromversorgung über die Wandsteckdose angeschlossen und die Leuchte eingeschaltet ist.
- Überprüfen, dass der Leuchtenstecker mit der richtigen Sicherung ausgerüstet ist.
- Überprüfen, dass die Nennspannung Ihrer Leuchte mit Ihrer Netzspannung übereinstimmt
- Überprüfen, dass Wattzahl, Typ und Länge der Lampen für Ihre Leuchte geeignet sind.
- Überprüfen, dass die Lampen ordnungsgemäß installiert sind.
- Überprüfen Sie die App-Programmierung oder verwenden Sie den Override-Schiebereglern.

WARTUNG - Reinigung: Die Leuchte nur reinigen, wenn sie vom Netzstrom getrennt und ganz abgekühlt ist. Das verhindert nicht nur Schlieren, sondern reduziert auch das Risiko von Schäden durch eindringende Feuchtigkeit. Aussehen und Leistung Ihrer Leuchte werden durch regelmäßige Reinigung längerfristig aufrecht erhalten. Für die Reinigung des Gehäuses genügt gewöhnlich ein feuchtes Tuch.

ENTSORGUNG: RECYCLING-INFORMATIONEN - Dieses Produkt erfüllt die Bestimmungen der europäischen Richtlinie 2002/96/EG. Dieses Produkt oder Ersatzröhren bitte nicht mit Ihrem normalen Haushaltsmüll entsorgen. Zur sicheren und verantwortungsvollen Entsorgung des Produkts gewährleisten, dass alle Komponenten in den richtigen Bereichen Ihres örtlichen Recyclingzentrums deponiert werden. Durch die ordnungsgemäße Entsorgung des Produkts beugen Sie potenziellen negativen Einflüssen auf die Umwelt und die menschliche Gesundheit vor. Alle elektronischen Komponenten (einschließlich Betriebseinheit und Lampenfassung) sollten im Recyclingbereich für elektronischen Abfall deponiert werden.

ProT5 - Die Leuchtstoffröhre dieses Produkts enthält Quecksilber und darf nicht mit normalem Haushaltsmüll entsorgt werden. Deponieren Sie diese bitte im Leuchtstoffröhren-Bereich Ihres örtlichen Recyclingzentrums oder an einer anderen zugelassenen Recycling-Stelle für Leuchtstoffröhren.

FR

L'INSTALLATION ET L'UTILISATION DU PRODUIT LUMENIZE

NE PAS INSÉRER DE LAMPES OU CONNECTER D'AUTRES KITS LORSQUE L'ALIMENTATION EST ALLUMÉE. TOUT RISQUE DE PANNE QUI EN DÉCOULE NE SERA PAS COUVERT PAR LA GARANTIE.

Installation de la lampe T5 : Débranchez d'abord le câble d'alimentation. Décliquez les verrous des lampes et retirez les porte-lampes en caoutchouc en les tirant doucement vers le haut. Branchez les porte-lampes directement sur la lampe T5, en vous assurant que les broches s'alignent avec les douilles à l'intérieur des porte-lampes (ne forcez pas). Une fois que les deux porte-lampes sont complètement enfoncés sur la lampe, poussez-les ensemble dans le raccord LumenIZE T5 en vous assurant que les broches sont alignées et enfoncées à fond dans la barre. Remplacez les clips de verrouillage de la lampe en position verrouillée.

Assurez-vous de ne pas placer de lampes chauffantes au-dessus ou très près des lampes LumenIZE. Il est important de permettre une bonne circulation d'air autour des lampes pour prolonger leur durée de vie et garantir leur bon fonctionnement.

La norme IP65 : La norme IP65 indique le niveau de résistance à l'eau testé qui protège la lampe et l'armature contre l'humidité habituelle, la condensation et la poussière. Les produits Arcadia Reptile T5 et JungleDawn-LED Bar 'LumenIZE' ont été testés conformément à la norme IP65 et sont classés comme "résistants à l'eau". Il est recommandé d'éviter d'asperger directement les accessoires avec de l'eau puissante. Cependant, l'utilisation de pulvérisateurs, d'humidificateurs et de systèmes de pluie couramment utilisés est possible. Veillez à ne pas positionner les dispositifs de pluie ou de brumisation de manière à ce qu'ils émettent sur les

armatures ou directement dessus. Ne pas immerger la robinetterie et la protéger des jets d'eau directs.

Ne pas utiliser de minuterie si le produit est connecté à l'application LumenIZE. Les produits LumenIZE disposent d'une horloge intégrée avec une batterie de secours lorsqu'ils sont connectés à l'application. L'utilisation de minuteries, telles que prises de courant thermostatées, intelligentes, mécaniques ou numériques, entraînera une coupure de l'alimentation de l'appareil lorsqu'il est éteint, entraînant une décharge inutile de la batterie. Il est recommandé d'utiliser des parasurtenseurs.

Nous vous conseillons d'ouvrir l'application et d'ouvrir chaque lampe dans l'application une fois par mois. Cela enverra des données de fonctionnement à jour à la lampe et mettra également à jour l'horloge intégrée.

Lorsque vous changez de fuseau horaire ou qu'il y a un changement d'heure saisonnier, veuillez ouvrir l'application et vous connecter à chaque kit individuellement. En faisant cela, l'application enverra de nouvelles données à l'horloge de chaque barre au fur et à mesure que vous vous connectez à chacune d'entre elles.

Les cycles de lever et de coucher du soleil peuvent être programmés en fonction de la localisation de l'espace. Un exemple approprié consisterait à suivre le schéma suivant : 06h00 = 0%, 11h = 100%, 15h = 100%, 19h = 0%. Il est important de veiller à ce que chaque cycle se termine à 0%. De cette manière, la puissance de la lampe augmentera progressivement de 0% à 100% entre 6 heures et 11 heures. À partir de 11 heures, la lampe fonctionnera à pleine puissance. Il convient ensuite d'inclure une période de stabilisation pour maintenir une puissance maximale de midi à 15 heures. En ajoutant une deuxième période de 100% à 15 heures, nous assurons que la lampe maintient une puissance maximale entre 11 heures et 15 heures. Entre 15 heures et 19 heures, la puissance de la lampe commencera à diminuer progressivement jusqu'à atteindre 0% à 19 heures, simulant ainsi le coucher du soleil. Ce programme permet de recréer de manière réaliste le schéma naturel de lever et de coucher du soleil, tout en réduisant considérablement la consommation d'énergie. En revanche, si nous programmions la lampe pour passer de 0% à 100% entre 5h59 et 6 heures, puis redescend progressivement de 100% à 0% à 17h30, cela créerait un cycle peu naturel. Dans ce cas, il n'y aurait pas de lever de soleil et seulement une brève période de sortie à pleine puissance à partir de 6 heures du matin, suivie d'une diminution à partir de 6h02.

LumenIZE utilise une gradation continue, plutôt qu'une gradation par paliers. Ce procédé est plus fluide avec les lampes LED qu'avec les lampes T5 en raison des différences dans la nature des lampes fluorescentes et des exigences de chauffage constant de leurs éléments. Les horloges internes sont précises en moyenne à 2 minutes et doivent être recalibrées en ouvrant l'application de la lampe une fois par mois.

Les lampes T5 nécessitent une certaine quantité d'énergie pour s'allumer en toute sécurité. C'est pourquoi, grâce au contrôle LumenIZE, nous avons intégré un mécanisme de "démarrage sécurisé" dans la fonction de l'appareil. Ce mécanisme vise à protéger la lampe, à réduire l'usure et à garantir une longue durée de vie de la lampe et du kit. Ainsi, lorsque vous programmez une lampe T5 pour qu'elle fonctionne à un faible pourcentage de sortie, il est recommandé de sélectionner un pourcentage supérieur à 20 % de la sortie totale. Cette opération est automatisée lors de l'exécution du programme. Par exemple, vous pouvez programmer une diminution de 0 % à 100 %, qui sera effectuée en toute sécurité grâce à notre fonction de démarrage sécurisé intégrée. Il est déconseillé de créer un programme horaire qui demande à une lampe de s'allumer et de s'éteindre complètement en moins de trente minutes. Une telle configuration pourrait perturber la programmation et entraîner le maintien de la lampe allumée en permanence.

Pour réaliser une liaison entre les barres ProT5 et JungleDawn-LED équipées de la capacité LumenIZE, il est nécessaire d'utiliser un câble de liaison approprié (vendu séparément). Il est important de noter que les luminaires de marque LumenIZE ne peuvent pas être combinés avec des barres ProT5/JungleDawn-LED non LumenIZE. Les connecteurs utilisés par les LumenIZE ProT5 et JungleDawn-LED Bar sont différents en raison de leur étanchéité IP65, ce qui nécessite l'utilisation de trois câbles de liaison distincts. Ces câbles permettent de connecter un T5 à un autre T5, une LED à une autre LED, ainsi qu'un T5 à une LED. Il est recommandé de consulter les données imprimées sur la barre pour connaître le nombre maximal de barres pouvant être reliées en chaîne. Il est important de souligner que la liaison entre les barres ne transfère PAS la programmation LumenIZE d'une lampe à une autre. Chaque lampe est contrôlée individuellement grâce à sa mémoire interne et est configurée via l'application Arcadia Reptile LumenIZE App. Cette configuration permet à chaque lampe d'une chaîne connectée d'avoir un programme de fonctionnement différent, selon les besoins spécifiques.

CONTRÔLE DE BASE DU LUMENIZE APP

L'application LumenIZE a été spécialement conçue pour faciliter le contrôle. L'application est très intuitive et ne comporte aucune fonction inutile ou superflue. LumenIZE peut être utilisé avec la plupart des téléphones et tablettes. Utilisez le code QR sur la boîte du produit, les liens de notre site web ou visitez le magasin du fournisseur d'applications sur votre appareil.

- Téléchargez l'application LumenIZE en utilisant le code QR ou en cherchant dans le magasin de votre fournisseur d'applications.
- Acceptez le message contextuel autorisant le fonctionnement du Bluetooth. Assurez-vous que le Bluetooth est activé sur votre appareil avant d'essayer de vous connecter à une lampe.
- Après avoir installé la lampe Arcadia Reptile LumenIZE et l'avoir mise sous tension, l'application devrait automatiquement afficher votre lampe par puissance et type sous "Nom de l'appareil". Appuyez sur l'écran dans la boîte de la lampe pour sélectionner la lampe à contrôler et l'écran de l'APP se remplit de données. Si vous appuyez sur le nom de la lampe et le maintenez enfoncé, une fenêtre contextuelle apparaîtra pour vous permettre de modifier le nom de la lampe. (Vous pouvez ajouter jusqu'à 50 lampes à une application). Si votre lampe n'apparaît pas automatiquement, appuyez sur le bouton "My Devices", ce qui lancera une nouvelle analyse.
- Si vous appuyez sur le bouton "Full Power Test", la lampe s'éteindra à 0 % et se rallumera. Cela peut vous aider à trouver une lampe qui a été utilisée à plusieurs reprises et peut également être utilisé pour rafraîchir les lampes.
- À côté du bouton "Full Power Test" se trouve un "rouage". Appuyez sur ce bouton pour définir un mot de passe par lampe* peut ne pas être disponible sur tous les appareils.
- Vous verrez un curseur au centre de la page. Il vous permet à la fois d'activer et de désactiver votre programme LumenIZE, mais aussi d'obtenir le contrôle manuel d'une lampe. Si le bouton vert indique "on", cela signifie que votre programme de gradation présélectionné est en cours et que le curseur de gradation n'est pas utilisable. Si le bouton est "éteint", cela signifie que le programme automatique est "éteint" et que la lampe est contrôlée manuellement à l'aide du curseur. (Voir également le point 15)
- LumenIZE propose deux cycles de lumière prédéfinis que vous pouvez utiliser selon vos préférences. En plus de cela, vous avez la possibilité de créer jusqu'à cinq réglages personnalisés pour faciliter le contrôle des lampes. Une fonctionnalité intéressante est que chaque lampe peut avoir ses propres cycles programmés si vous le souhaitez. La programmation se fait directement au niveau de la lampe, ce qui signifie que chaque lampe peut avoir son propre programme de fonctionnement, indépendamment des autres lampes ou de l'appareil de contrôle.

8. La mise en place d'un programme personnalisé est simple. Sélectionnez la lampe que vous souhaitez contrôler. Appuyez sur Mode personnalisé 1-5. Appuyez sur "Ajouter une plage horaire". Utilisez les roues pour sélectionner votre première heure du matin. Cette heure doit être réglée sur 0 % à l'aide du curseur. Appuyez sur ok. Appuyez sur "Ajouter une plage horaire" et ajoutez l'heure à laquelle vous souhaitez que la lampe fonctionne à 100 % (par exemple 12 heures du matin). Déplacez le curseur jusqu'à 100 % dans ce créneau horaire. Appuyez à nouveau sur "Ajouter une plage horaire" et répétez l'opération à 0 % pour l'extinction des feux. Vous pouvez varier et utiliser autant de commandes de fonction "créneau horaire" que vous le souhaitez. Par exemple, vous pouvez souhaiter fonctionner à 50 % pendant un certain temps, ou prolonger les périodes de faible consommation d'énergie pour assurer la saisonnalité. Avec LumenIZE, vous avez toujours le choix.

9. Lorsque vous avez défini la fonction quotidienne que vous souhaitez exécuter, il est facile de la copier et de la coller sur d'autres lampes. Il suffit d'appuyer sur "Enregistrer le programme", de sélectionner une autre lampe et d'appuyer sur "Appliquer le programme".

10. Si vous souhaitez supprimer un "créneau horaire", il vous suffit d'appuyer et de maintenir ce créneau horaire au-dessus de l'horloge et un bouton "supprimer le créneau horaire" apparaîtra.

11. En appuyant sur "luminosité" en bas de l'écran, vous obtiendrez un graphique de votre schéma d'éclairage.

12. En appuyant sur "luminosité" en bas de l'écran, vous obtiendrez un graphique de votre schéma d'éclairage.

13. Le bouton "Mes appareils" permet de rechercher les appareils LumenIZE.

14. Le bouton "Mes enregistrements d'animaux" est simplement une page qui vous permet de prendre des notes. Actualisez chaque lampe tous les mois en appuyant sur la lampe et en utilisant le bouton "Full Power Test". Le programme et l'horloge interne sont ainsi rafraîchis.

15. Si le contrôle manuel est perdu à tout moment, appuyez trois fois sur le bouton "Full Power Test" et attendez. En général, il s'agit d'un mauvais signal Bluetooth ou la lampe est déjà au milieu d'un processus. Le contrôle manuel sera rétabli lorsque le processus sera terminé. Cela se produit généralement dans les 2 minutes qui suivent.

16. Les produits LumenIZE LED et HOT5 ne sont pas compatibles avec la barre LED standard et les kits ProT5. L'application LumenIZE n'ajoute aucun contrôle à la gamme Non-LumenIZE.

17. Réinitialisation du mot de passe ; Si vous oubliez ou perdez le mot de passe d'un kit individuel, vous pouvez réinitialiser le kit avec un processus manuel simple. Allumez la lampe comme d'habitude, éteignez le kit pendant 3 secondes, puis allumez-le pendant 1 seconde, puis éteignez-le pendant 3 secondes, puis allumez-le pendant 1 seconde, puis éteignez-le pendant 3 secondes. Répétez ce schéma 3 fois pour rétablir les paramètres d'usine. Cela réinitialisera la lampe contrôlée par l'interrupteur, mais réinitialisera également TOUTES LES LAMPES d'une chaîne si elles sont reliées, veuillez supprimer le lien si vous ne souhaitez pas réinitialiser toutes les lampes de la chaîne.

18. Remplacement de la batterie de secours ; les barres ProT5 et JungleDawn-LED avec la capacité LumenIZE intégrée ont été équipées d'une batterie de secours interne. Cela signifie simplement que les programmes que vous définissez via l'application LumenIZE sont stockés dans la lampe elle-même plutôt que sur votre appareil. Cela garantit le fonctionnement continu du programme et de l'horloge en cas de panne de courant ou de problèmes téléphoniques. La lampe ne s'allumera pas en cas de panne de courant localisée, mais l'horloge continuera de fonctionner. Cela signifie que lorsque le produit est remis sous tension, l'horloge fonctionne toujours et la lampe continue de fonctionner selon les paramètres que vous avez créés. Si vous décidez de ne pas utiliser le produit pendant un certain temps et qu'il est hors tension, l'horloge continuera à fonctionner, ce qui déchargera la batterie. Vous pouvez arrêter ce processus en utilisant la fonction de réinitialisation. La pile interne est une pile standard CR1220. La durée de vie moyenne de cette pile est de 2 à 3 ans dans le cadre d'un fonctionnement normal. La pile peut toutefois être remplacée. Coupez l'alimentation de la lampe (débranchez-la). En vous assurant que la lampe est débranchée, utilisez un outil lisse et plat pour soulever délicatement le couvercle en plastique de la partie supérieure de la barre, en prenant soin de ne pas endommager le joint. Sortez l'appareil avec précaution en veillant à ne pas étirer les câbles et à ne pas toucher les composants. Retirez et remplacez la batterie. Assurez-vous que le joint est bien en place, remettez fermement le couvercle en plastique dans l'appareil, actualisez votre application et réglez les paramètres qui ont pu être interrompus.

a. La marque verbale et les logos Bluetooth® sont des marques déposées appartenant à Bluetooth SIG, La marque verbale et les logos Inc. Auracast™ sont des marques commerciales appartenant à Bluetooth SIG, Inc. Toute utilisation de ces marques par [nom du titulaire de la licence] se fait sous licence. Les autres marques Et noms commerciaux sont ceux de leurs propriétaires respectifs."

b. Apple : App Store est une marque d'Apple Inc. déposée aux États-Unis et dans d'autres pays et régions. Google Play est une marque de Google LLC.

c. Le produit LumenIZE a été conçu de manière à pouvoir être utilisé avec ou sans l'application LumenIZE. De cette manière, les nouveaux produits peuvent être allumés à une puissance prédéfinie de 100% directement à partir de la boîte. Il n'existe AUCUNE méthode pour contrôler la gradation de ce produit en dehors de l'utilisation de l'application LumenIZE. Par conséquent, la gradation n'est pas fonctionnelle. Pour bénéficier de la programmation, l'application LumenIZE doit être utilisée. Si un produit déjà utilisé est utilisé, il arrivera avec le programme préexistant fonctionnant en interne tel qu'il a été défini lors de l'utilisation précédente. Ceci peut être annulé en connectant la lampe à l'application LumenIZE ou via le processus de redémarrage décrit au point (17).

d. Arcadia, Arcadia Reptile, ProT5, JungleDawn, ShadeDweller, LumenIZE et Wild Re-Creation sont toutes des marques déposées.

e. Efficacité énergétique. Lors d'une série de tests en conditions réelles, nous avons constaté que les produits utilisés avec l'application LumenIZE sur un cycle de 9 heures et avec un rendement de 4 heures à 100 % permettaient d'économiser 30 % de l'électricité* consommée par rapport aux lampes sans gradation utilisées sur la même période. La durée du cycle journalier, la graduation de la courbe de gradation et la période de fonctionnement à 100% auront un impact sur cette économie moyenne. * Test cité : 8w ShadeDweller-Pro. 100 % de la puissance pendant 9 heures = 0,07 kWh. 8w ShadeDweller-Pro avec contrôle LumenIZE = 0.05kwh. fonctionnant à 246v 50hz. Mesuré avec un compteur Ketotek.

f. L'utilisation de l'application Arcadia Reptile LumenIZE est gratuite dans la mesure du possible*. Les fonctions énumérées dans ce document ont été testées sur la majorité des appareils. Cependant, nous ne garantissons pas que chaque fonction fonctionnera comme indiqué sur chaque appareil ou par l'intermédiaire de chaque fournisseur de programme d'application. Veuillez utiliser les "mises à jour de l'application" chaque fois qu'elles sont affichées afin de corriger tout bogue détecté et d'installer toute nouvelle fonction. Les détails des mises à jour seront publiés sur nos sites web ou dans les médias sociaux. Vous pouvez obtenir des conseils et signaler les bogues à info@arcadia-reptile.com Traductions de l'application : nous avons un programme de détection automatique dans l'application qui devrait rechercher la langue la plus courante liée à votre fournisseur d'IP ou à votre appareil. Ces traductions ont été fournies en toute bonne foi et sont aussi précises que possible. Il n'est pas possible de sélectionner la langue de votre choix pour le moment. * Nous nous réservons le droit de facturer certaines mises à jour de fonctions optionnelles supplémentaires à l'avenir.

INSTRUCTIONS DE SÉCURITÉ, D'INSTALLATION ET DE MAINTENANCE

CONSERVEZ LA NOTICE POUR TOUTE CONSULTATION ULTERIEURE. LISEZ ET SUIVEZ ATTENTIVEMENT TOUTES LES CONSIGNES DE SECURITE.

DANGER- Pour éviter tout risque d'électrocution, vous devez faire particulièrement attention dans le cas d'utilisation d'eau avec votre matériel pour vivarium. Pour chaque situation énumérée

ci-après, n'essayez pas d'effectuer les réparations vous-même, mais retournez l'appareil à un service de réparation autorisé ou jetez-le pour éviter tout risque. Ce produit a été conçu pour un usage intérieur et l'éclairage des vivariums et des volières unicamente. Le respect de ces consignes garantit un fonctionnement durable et sans risque de l'appareil. Le non-respect de ces consignes peut engendrer des blessures graves ou des dysfonctionnements. En cas de doute sur l'installazione ou le fonctionnement di ce produit, consultez un électricien confirmé. Vérifiez que la tensione nominale et les caractéristiques assignées de fréquence sur l'étiquette du produit sont compatibles avec celles de votre réseau d'alimentation avant de continuer.

ATTENTION - Pour éviter les blessures, il faut respecter les mesures de sécurité fondamentales suivantes :

- Débranchez l'appareil avant d'effectuer son entretien. Ne tirez jamais sur le cordon pour sortir la fiche de la prise électrique ; il faut tenir et tirer la fiche elle-même.
- L'appareil peut être très BRÛLANT. Ne touchez jamais l'appareil lorsqu'il est allumé et attendez suffisamment de temps pour qu'il refroidisse avant de procéder à son entretien.
- Ce luminaire est classé IP65 résistant à l'eau, ne pas autoriser les jets directs sur l'unité ou submerger.
- Si des composants électriques viennent en contact avec de l'eau, débranchez l'appareil tout de suite. Si vous remarquez une fuite anormale d'eau, débranchez l'appareil tout de suite.
- N'utilisez l'appareil que pour l'usage auquel il est destiné. L'emploi de matériel et d'accessories autres que ceux d'Arcadia avec l'appareil n'est pas recommandé et peut compromettre la sécurité de l'appareil.
- N'installez pas ou ne rangez pas l'appareil dans un endroit où il risquerait d'être exposé à des conditions météorologiques extrêmes ou à des températures inférieures à 0 °C.
- Ne faites pas marcher la rampe d'éclairage avec des lampes qui fonctionnent mal ou sont défectueuses – cela risquerait d'endommager le circuit électrique. Changez les lampes dès les premiers signes de défaillance et remplacez-les par une lampe du même type et de la puissance appropriée. Il est conseillé d'avoir des lampes de rechange à disposition.
- Les lampes produisant des UV sont des appareils puissants qui peuvent rapidement provoquer des brûlures par les UV. Veillez à ne pas exposer directement la peau aux lampes lorsqu'elles sont allumées.

INSTALLATION DE LA LAMPE - Assurez-vous que les lampes sont du type et de la puissance corrects.

INSTALLATION PHYSIQUE - Choisissez un emplacement approprié près de votre réseau d'alimentation. Ne mettez pas l'appareil sous tension pendant l'installazione. Pour une durée de vie optimale des luminaires, fixez toujours les câbles électriques des luminaires avant de les brancher au mur. Assurez-vous que l'appareil est éteint avant que la lampe ne soit installée. L'appareil a été conçu pour un usage intérieur. Il doit être placé dans un endroit bien aéré, à l'écart d'autres sources de chaleur. Assurez-vous que le rayon de lumière diffusée par l'appareil est dirigé vers l'intérieur du vivarium. Placez l'appareil à l'endroit voulu soit en le posant sur la grille du vivarium soit en le vissant sur le haut du vivarium. Assurez-vous que le cordon d'alimentation et la lampe sont situés hors de portée des animaux qui pourraient mordre dedans ou les endommager.

INSTALLATION ÉLECTRIQUE - Avant d'installer l'appareil, assurez-vous que les caractéristiques assignées de la puissance et des fréquences sont compatibles avec celles de votre réseau d'alimentation, et que la prise du câble principal est totalement compatible avec vos prises de courant. En cas de doute, veuillez retourner l'appareil au vendeur pour vérification. Branchez l'appareil dans la prise d'alimentation secteur.

DIAGNOSTIC DE PANNE - Les lampes fluorescentes s'allument presque tout de suite et pratiquement à leur niveau optimum d'intensité (suivant la température ambiante); elles atteignent leur température d'exploitation peu après. Une fois éteintes, elles peuvent tout de suite se rallumer. Si l'appareil ne s'allume pas :

- Vérifiez que l'appareil est branché et sous tension à la fois au niveau de l'interrupteur au mur et de l'appareil même.
- Vérifiez que la fiche du cordon est équipée du fusible correct.
- Vérifiez que la tension nominale de l'appareil est compatible avec celle de votre alimentation secteur.
- Vérifiez la compatibilité des lampes (puissance, type et longueur) avec le luminaire.
- Vérifiez l'installazione correcte des lampes.
- Vérifiez la programmation de l'application ou utilisez le curseur de remplacement.

ENTRETIEN - Nettoyage : Assurez-vous que l'appareil est mis hors tension et attendez qu'il soit froid avant de le nettoyer, pour éviter les taches et réduire les dommages causés par l'humidification de l'intérieur de l'appareil. Un nettoyage régulier entretient l'aspect et les performances de votre luminaire. Normalement, il suffit de nettoyer la coque de l'appareil à l'aide d'un chiffon humide.

INFORMATIONS SUR LE RECYCLAGE EN FIN DE VIE - Cet appareil est couvert par la Directive européenne 2002/96/EC. Veuillez ne pas jeter cet appareil ou les lampes de rechange avec les déchets ménagers ordinaires. Pour vous débarrasser de cet appareil en toute sécurité et de manière responsable, veuillez déposer tous les éléments usagés dans les collecteurs disposés à cet effet dans la déchetterie municipale la plus proche. En veillant à la mise au rebut correcte de cet appareil, vous contribuez à prévenir les effets néfastes potentiels de leur mauvaise gestion sur l'environnement et la santé humaine. Tous les composants électroniques (cela comprend l'alimentation secteur et la lampe) doivent être placés dans les collecteurs de recyclage des déchets électroniques désignés par votre municipalité.

ProT5 - Si une lampe fluorescente est fournie avec le produit, elle contient du mercure et ne doit donc pas être jetée avec les déchets ménagers ordinaires ; elle doit être déposée dans les collecteurs disposés à cet effet dans la déchetterie municipale la plus proche ou un site de ramassage désigné pour les lampes fluorescentes.

IT

ISTRUZIONI DEL PRODOTTO LUMENIZE E DELL'APP.

NON INSERIRE LE LAMPADE O COLLEGARE ALTRI KIT CON L'ALIMENTAZIONE ACCESA. RISCHIO DI GUASTO NON COPERTO DA GARANZIA.

Installazione della lampada T5. Con il cavo di alimentazione rimosso, sbloccare i blocchi della lampada e rimuovere i portalampe in gomma tirando delicatamente verso l'alto. Inserirli direttamente sulla lampada T5 facendo attenzione che i pin siano allineati con le prese all'interno dei portalampe (non forzare). Quando entrambi i portalampe sono completamente premuti sulla lampada, spingerli insieme nell'attacco LumenIZE T5, facendo attenzione che i perni siano allineati e spinti completamente nella barra. Riposizionare le clip di bloccaggio della lampada in posizione di blocco.

Non collocare lampade di calore sopra o molto vicino a queste lampade. Assicurare un flusso d'aria adeguato intorno alle lampade. Ciò contribuirà a prolungare la durata e i programmi di funzionamento.

Lo standard IP65. IP65 indica il livello di resistenza all'acqua testato per proteggere la lampada e l'apparecchio dall'umidità, dalla condensa e dalla polvere. I prodotti Arcadia Reptile T5 e JungleDawn-LED Bar "LumenIZE" sono stati testati secondo lo standard IP65 e sono classificati come "resistenti all'acqua". È necessario evitare spruzzi diretti e potenti sugli accessori; tuttavia, è possibile utilizzare normalmente spruzzatori, umidificatori e sistemi a pioggia. Fare attenzione a non posizionare dispositivi antipioggia o antiappannamento in modo che emettano sopra o direttamente sulla rubinetteria. Non immergere la rubinetteria e proteggerla da getti d'acqua diretti.

NON UTILIZZARE CON TIMER SE IL PRODOTTO È CONNESSO ALL'APP, i prodotti LumenIZE quando sono collegati all'app LumenIZE hanno un orologio incorporato con batteria di riserva. Se si utilizzano dei timer*, si rimuove tutta l'energia dall'apparecchio quando è spento e si scarica inutilmente la batteria. *#Prese di corrente con termostato, intelligenti, meccaniche e digitali. Collegare direttamente alla rete elettrica. Si consiglia l'uso di protezioni contro le sovratensioni.

Si consiglia di aprire l'application e di aprire ogni lampada all'interno dell'application ogni mese. In questo modo si inviano alla lampada dati di funzionamento aggiornati e si aggiorna anche l'orologio.

Aprire l'app e collegarsi a ciascun kit in caso di cambio di fuso orario o di cambio di orario stagionale. In questo modo l'app invierà nuovi dati all'orologio di ogni barra, mentre le si collega singolarmente.

I cicli alba/tramonto possono essere programmati in base alla località della specie. Un buon esempio potrebbe essere il seguente. 06.00 = 0%, 11.00 100%, 15.00 100%, 19.00 0%. È essenziale terminare ogni ciclo con lo 0%. In questo modo, tra le 6.00 e le 11.00 la potenza della lampada aumenterà da 0% a 100% molto lentamente fino alle 11.00. Alle 11 la lampada funzionerà a piena potenza. Occorre poi aggiungere un tempo di stabilizzazione per mantenere la potenza del sole di mezzogiorno al 100%. Aggiungendo un secondo tempo di stabilizzazione alle 15:00 del 100%, si istruisce la lampada a mantenere il 100% di potenza tra le 11:00 e le 15:00. Dalle 15:00 alle 19:00 la potenza della lampada inizierà a ridursi molto lentamente fino a quando, alle 19:00, la lampada si spegnerà completamente. È con un programma di questo tipo che si ottiene l'andamento più naturalistico dell'alba e del tramonto, ma anche una notevole riduzione del consumo energetico. Se programmassimo le 05.59 allo 0%, le 6.00 al 100% e le 17.30 allo 0%, programmeremo un ciclo innaturale. In questo modo la lampada passerebbe dallo 0% al 100% tra le 06.00 e le 06.01. Poi ricomincerebbe a scendere. Poi inizierebbe a scendere di nuovo dal 100% alle 6.01 e dallo 0% alle 17.30 molto lentamente. Non ci sarebbe l'alba e ci sarebbe un brevissimo periodo di produzione al 100% dalle 6 del mattino, ma in calo dalle 06.02.

LumenIZE utilizza un vero e proprio dimming, non un'uscita a gradini; questo processo è più fluido nei LED che nei T5, a causa della natura delle lampade fluorescenti e della necessità di un riscaldamento costante degli elementi. Gli orologi interni hanno una precisione media di 2 minuti e devono essere aggiornati aprendo la lampada sull'app ogni mese.

Le lampade T5 richiedono una certa quantità di energia per avviarsi in modo sicuro. Pertanto, con il controllo LumenIZE abbiamo programmato nel funzionamento dell'apparecchio un meccanismo di "avvio sicuro". Ciò serve a proteggere la lampada, a ridurre il rollo e a garantire una lunga durata della lampada e del kit. Pertanto, se si programma una lampada T5 per farla funzionare a una bassa percentuale di potenza, si consiglia di selezionare una percentuale superiore al 20% della potenza totale. Questo viene automatizzato quando il programma è in esecuzione. In altre parole, è possibile programmare una riduzione dallo 0% al 100%, che sarà gestita in modo sicuro dalla programmazione interna tramite la funzione di avvio sicuro. Non è consigliabile eseguire un programma orario che preveda l'accensione e lo spegnimento completo di una lampada entro un periodo di mezz'ora o meno. Ciò potrebbe confondere la programmazione e la lampada rimarrebbe accesa.

Collegamento; sia i ProT5 che le barre JungleDawn-LED con capacità LumenIZE possono essere collegati con l'aggiunta di un cavo di collegamento adatto (venduto separatamente). I raccordi con marchio LumenIZE non possono essere combinati con barre ProT5/JungleDawn-LED non LumenIZE. LumenIZE ProT5 e JungleDawn-LED Bar utilizzano connettori diversi, il cui design è diverso a causa dell'impermeabilità IP65. Per questo motivo sono disponibili separatamente 3 diversi cavi di collegamento. Questi cavi consentono il collegamento da T5 a T5 o da LED a LED e da T5 a LED. Per il numero massimo di barre collegabili a catena, consultare i dati stampati sulla barra. Il collegamento NON trasferisce la programmazione LumenIZE da una lampada all'altra. Ogni lampada viene controllata tramite la memoria interna e impostata tramite l'App Arcadia Reptile LumenIZE. In questo modo, ogni lampada di una catena collegata può avere un programma di funzionamento diverso.

CONTROLLO DI BASE DELL'APP LUMENIZE

L'APP LumenIZE è stata progettata appositamente per offrire facilità di controllo. L'APP è molto intuitiva e non presenta alcuna funzione inutile o non richiesta. LumenIZE può essere utilizzata per la maggior parte dei telefoni e dei tablet. Utilizzate il codice QR sulla scatola del prodotto, il link dal nostro sito web o visitate il negozio del provider di app sul vostro dispositivo.

1. Scaricate l'APP LumenIZE tramite il codice QR o cercatela nello store del vostro provider di APP.
2. Accettare il messaggio a comparsa che consente il funzionamento del Bluetooth. Assicurarsi che la funzione Bluetooth sia attivata per il dispositivo prima di provare a collegarsi a una lampada.
3. Dopo aver installato la lampada Arcadia Reptile LumenIZE e averla accesa, l'APP dovrebbe visualizzare automaticamente la lampada in base alla potenza e al tipo sotto "Nome dispositivo". Premendo lo schermo all'interno del riquadro della lampada, questa verrà selezionata per il controllo e lo schermo dell'APP si riempirà di dati. Se si tiene premuto il nome della lampada, apparirà un pop-up che consentirà di modificare il nome della lampada. (È possibile aggiungere fino a 50 lampade a un'App). Se la lampada non appare automaticamente, premere il pulsante "I miei dispositivi" per avviare una nuova scansione.
4. Se si preme il pulsante "test di piena potenza", la lampada si abbassa allo 0% e si riaccende. Questo può aiutare a trovare una lampada in cui se ne usano molte e può anche essere usato per aggiornare le lampade.
5. Accanto al pulsante "test di piena potenza" si trova un "ingranaggio". Premere questo pulsante per impostare una password per lampada* potrebbe non essere disponibile su tutti i dispositivi.
6. Al centro della pagina si trova un cursore. Questo consente sia di attivare/disattivare il programma del ciclo LumenIZE, sia di ottenere il controllo manuale di una lampada. Se il pulsante verde è acceso, significa che il programma di regolazione della luminosità preselezionato è in corso e che il cursore di regolazione non è utilizzabile. Se il pulsante è "off", significa che il programma di funzionamento automatico è "off" e che la lampada è controllata manualmente dal cursore. (vedere anche il punto 15)
7. LumenIZE dispone di 2 "cicli di luce" preimpostati, se si desidera utilizzarli. In alternativa, è possibile creare fino a 5 impostazioni personalizzate di propria scelta per facilitare il controllo delle lampade. Inoltre, se lo si desidera, ogni lampada può avere i propri cicli programmati (la programmazione è interna alla lampada, non al dispositivo).
8. Impostare un programma personalizzato è facile. Selezionate la lampada che desiderate controllare. Premere la modalità personalizzata 1-5. Premere "Aggiungi fascia oraria". Usare le rotelle per selezionare la prima ora del mattino. Questo dovrebbe essere impostato tramite il cursore su 0%. Premete ok. Premete "Aggiungi fascia oraria" e aggiungete l'ora in cui desiderate che la lampada funzioni al 100% (forse alle 12.00 o simili). Spostate il cursore al 100% in questa fascia oraria. Di nuovo, premere "Aggiungi fascia oraria" e ripetete con lo 0% per lo spegnimento delle luci. Si possono avere tutte le variazioni e tutti i comandi di funzione 'fascia oraria' che si desiderano. Ad esempio, si

può desiderare di funzionare al 50% di spegnimento per un certo periodo di tempo, o di prolungare i periodi di minore energia per garantire la stagionalità. Con LumenIZE la scelta è sempre vostra.

- Una volta impostata la funzione giornaliera che si desidera eseguire, è facile "copiare e incollare" questa funzione su altre lampade. È sufficiente premere "Salva programma", selezionare un'altra lampada e premere "Applica programma".
- Se si desidera cancellare una "fascia oraria", è sufficiente tenere premuta la fascia oraria in questione sull'"orologio" e apparirà il pulsante "Cancella fascia oraria".
- Premendo "luminosità" nella parte inferiore dello schermo, viene visualizzato un grafico dello schema di illuminazione.
- Il pulsante "I miei dispositivi" esegue la scansione dei dispositivi LumenIZE.
- Il pulsante "Le mie registrazioni animali" è semplicemente una pagina che consente di prendere appunti.
- Aggiornare ogni lampada mensilmente premendo sulla lampada e utilizzando il pulsante "test di piena potenza". In questo modo si aggiornano il programma e l'orologio interno.
- Se il controllo manuale viene perso in qualsiasi momento, premere 3 volte il pulsante "test di piena potenza" e attendere. In genere si tratta di un segnale Bluetooth insufficiente oppure la lampada è già a metà di un processo. Il controllo manuale tornerà quando il processo sarà terminato. Di solito ciò avviene entro 2 minuti.
- I prodotti LumenIZE LED e HOT5 non sono compatibili con le barre LED standard e i kit ProT5 per il collegamento. L'app LumenIZE non aggiunge alcun controllo alla gamma non-LumenIZE.
- Accendere la lampada come di consueto, spegnere il kit per 3 secondi, quindi accenderlo per 1 secondo, spegnerlo per 3 secondi, accenderlo per 1 secondo e spegnerlo per 3 secondi. Ripetere questo schema per 3 volte per ripristinare le impostazioni di fabbrica. Questa operazione resetterà la lampada controllata con l'interruttore, ma resetterà anche TUTTE LE LAMPADATE di una catena se collegate; si prega di rimuovere il collegamento se non si desidera resettare tutte le lampade della catena.
- Sostituzione della batteria di backup; le barre ProT5 e JungleDawn-LED con capacità LumenIZE integrata sono state dotate di una batteria di backup interna. Ciò significa semplicemente che i programmi impostati tramite l'app LumenIZE vengono memorizzati all'interno della lampada stessa e non sul dispositivo. Ciò garantisce la continuità di funzionamento del programma e dell'orologio in caso di interruzione di corrente o di problemi al telefono. In caso di interruzione di corrente localizzata, la lampada non si accende, ma l'orologio continua a funzionare. Ciò significa che quando il prodotto viene rialimentato, l'orologio è ancora in funzione e la lampada continua a funzionare secondo le impostazioni create dall'utente. Se si decide di non utilizzare il prodotto per un certo periodo di tempo e lo si toglie dall'alimentazione, l'orologio continuerà a funzionare, scaricando la batteria. È possibile interrompere questa operazione utilizzando la funzione di reset. La batteria interna è una cella standard CR1220. La durata media di questa batteria è di 2-3 anni in condizioni di funzionamento normale. Tuttavia, la batteria può essere sostituita. Togliere l'alimentazione alla lampada (staccare la spina). Assicurandosi che la lampada sia scollegata, con un utensile piatto e liscio sollevare delicatamente il coperchio di plastica dalla parte superiore della barra, facendo attenzione a non danneggiare la guarnizione. Estrarre l'unità con cautela, facendo attenzione a non tendere i cavi e a non toccare i componenti. Rimuovere e sostituire la batteria. Assicurandosi che il sigillo sia in posizione, reinserire saldamente il coperchio di plastica nell'unità, aggiornare l'app e regolare le impostazioni eventualmente interrotte.
 - "Il marchio e i loghi Bluetooth® sono marchi registrati di proprietà di Bluetooth SIG, Inc. Il marchio e i loghi Auracast™ sono marchi di proprietà di Bluetooth SIG, Inc. L'uso di tali marchi da parte di [nome del licenziatario] è concesso in licenza. Altri marchi e nomi commerciali nomi commerciali appartengono ai rispettivi proprietari".
 - Apple: App Store è un marchio di Apple Inc. registrato negli Stati Uniti e in altri Paesi e regioni. Google Play è un marchio di Google LLC.
 - Il prodotto LumenIZE è stato progettato in modo da poter essere utilizzato con o senza l'utilizzo dell'app LumenIZE. In questo modo i nuovi prodotti possono essere accesi con una potenza preimpostata del 100% direttamente dalla scatola. Non esiste alcun metodo per controllare la dimmerazione di questo prodotto al di fuori dell'utilizzo dell'app LumenIZE. Pertanto, la dimmerazione non è funzionale. Per poter usufruire della programmazione, è necessario utilizzare l'app LumenIZE. Se si utilizza un prodotto usato in precedenza, questo arriverà con il programma preesistente in esecuzione internamente come impostato dall'uso precedente. Questo può essere annullato collegando la lampada all'App LumenIZE o tramite il processo di "riavvio" indicato al punto (17).
 - Arcadia, Arcadia Reptile, ProT5, JungleDawn, ShadeDweller, LumenIZE e Wild Re-Creation sono tutti marchi registrati.
 - Efficienza energetica. In una serie di test dal vivo, abbiamo riscontrato che il prodotto utilizzato con l'App LumenIZE per un ciclo di 9 ore e con un'uscita al 100% per 4 ore ha risparmiato il 30% dell'elettricità* utilizzata rispetto alle lampade non dimmerabili utilizzate nello stesso periodo. La durata del ciclo giornaliero, la graduazione della curva di regolazione e il periodo di funzionamento al 100% della potenza influiscono su questo risparmio medio. * Test citato 8w ShadeDweller-Pro. 100% di potenza per 9 ore = 0,07kwh. 8w ShadeDweller-Pro con controllo LumenIZE = 0,05kwh. a 246v 50Hz. Misurato con il misuratore Ketotek.
 - L'utilizzo dell'App Arcadia Reptile LumenIZE è fornito gratuitamente, ove possibile*. Le funzioni elencate in questo documento sono state testate sulla maggior parte dei dispositivi. Tuttavia, non garantiamo che tutte le funzioni funzionino come indicato su tutti i dispositivi o attraverso tutti i fornitori di programmi di app. Si prega di utilizzare gli "aggiornamenti dell'app" ogni volta che vengono visualizzati per correggere eventuali bug riscontrati e installare nuove funzioni. I dettagli degli aggiornamenti saranno pubblicati sui nostri siti web o sui social media. È possibile ottenere consigli e segnalare bug a info@arcadia-reptile.com. Traduzioni dell'app: all'interno dell'app è presente un programma di rilevamento automatico che dovrebbe cercare la lingua più comune legata al provider IP o al dispositivo in uso. Queste traduzioni sono state fornite in buona fede e per essere il più accurate possibile. Al momento non è possibile selezionare la lingua preferita. * Ci riserviamo il diritto di addebitare il costo di alcuni aggiornamenti di funzioni opzionali in futuro.

ISTRUZIONI DI SICUREZZA, PER L'INSTALLAZIONE E LA MANUTENZIONE

CONSERVARE LE ISTRUZIONI PER FUTURE CONSULTAZIONI. LEGGERE E ATTENERSI A TUTTE LE ISTRUZIONI SULLA SICUREZZA.

PERICOLO - Per evitare il rischio di possibili scosse elettriche, prestare particolare attenzione se acqua viene utilizzata con le apparecchiature per vivari. Nel caso si dovessero verificare le seguenti situazioni, non cercare di riparare l'apparecchio, ma portarlo a un centro d'assistenza autorizzato o scartare l'apparecchio:

Questo prodotto è stato progettato esclusivamente per l'uso al coperto e per l'illuminazione di vivari e voliere e, se queste istruzioni saranno seguite, offrirà una lunga e sicura vita in servizio. In caso di dubbi sull'installazione o il funzionamento di questo prodotto, rivolgersi a un elettricista esperto e qualificato.

Verificare che la tensione e la frequenza nominali sull'etichetta del prodotto corrispondano alla tensione della propria rete elettrica prima di procedere.

ATTENZIONE - per evitare possibili lesioni, attenersi ad alcune fondamentali precauzioni di sicurezza, fra cui:

- Scollegare l'unità dalla presa elettrica prima di sottoporla a manutenzione. Non tirare mai il cavo per disinserire la spina dalla presa, ma scollegarla facendo presa sulla spina.
- L'unità d'illuminazione può diventare MOLTO CALDA. Non toccare mai l'unità in funzione e, prima di effettuare qualsiasi intervento di manutenzione, attendere che si raffreddi.
- Questo apparecchio è classificato IP65 resistente all'acqua, non consentire getti diretti sull'unità o immergersi.
- Se i componenti elettrici dell'apparecchio dovessero bagnarsi, scollegare immediatamente l'apparecchio dalla rete elettrica. Se l'apparecchio mostra segni di perdite d'acqua, scollegare immediatamente l'alimentazione.
- Non utilizzare l'unità per usi diversi da quelli previsti. Si sconsiglia l'impiego di attacchi o accessori non originali Arcadia, in quanto ciò potrebbe dar luogo a condizioni d'utilizzo pericolose.
- Non installare o magazzinare l'unità in ambienti esposti ad agenti atmosferici o a temperature eccessivamente rigide (al di sotto di 0°).
- Non utilizzare mai l'unità con lampade difettose o guaste, in quanto ciò potrebbe danneggiare il circuito. Sostituire le lampade tempestivamente con una unità del tipo e del wattaggio corretti. Si consiglia di tenere delle lampade di riserva, pronte per l'uso.
- Le lampade che producono UV sono dispositivi potenti che possono portare rapidamente a ustioni UV. Fare attenzione a non esporre direttamente la pelle alle lampade quando sono accese.

INSTALLAZIONE DELLA LAMPADA - Assicurarsi che le lampade siano del tipo e della potenza corretti.

INSTALLAZIONE FISICA - Scegliere un'ubicazione idonea, vicino a una presa di corrente. Non collegare l'apparecchio alla presa della rete elettrica durante l'installazione. Per una durata ottimale degli apparecchi, fissare sempre i cavi elettrici degli apparecchi prima di collegarli alla parete. Assicurarsi che il dispositivo sia spento prima di installare la lampada. Questo apparecchio è stato progettato solo per un uso al coperto. Assicurarsi che l'apparecchio sia installato in un luogo ventilato e lontano da fonti di calore. Assicurarsi che la luce dall'apparecchio sia diretta all'interno del vivario. Collocare l'unità nella posizione desiderata, sulla rete del vivario o avvitata sulla parte superiore del vivario. Assicurarsi che il cavo di alimentazione e l'unità siano fuori dalla portata degli animali che potrebbero morderli o danneggiarli.

INSTALLAZIONE ELETTRICA - Prima dell'installazione, accertarsi che la tensione e la frequenza nominali dell'unità d'illuminazione siano conformi a quelle della rete elettrica e che la spina sia compatibile con la presa della corrente elettrica. In caso di dubbio, portare l'unità al punto vendita per verificare questi dettagli. Collegare l'unità alla presa della corrente elettrica. Utilizzare l'interruttore sull'eccitatore di tensione per accendere/spegnere l'unità.

RISOLUZIONE DEI PROBLEMI - Le lampade fluorescenti si accendono quasi immediatamente, raggiungendo subito la piena luminosità (a seconda della temperatura ambientale) e subito dopo la temperatura d'esercizio ottimale. Le lampade fluorescenti possono essere spente subito dopo la loro accensione. Se l'unità non si illumina:

- Controllare che sia collegata alla rete elettrica e che l'interruttore della presa sia in posizione di acceso.
- Controllare che la spina dell'unità sia dotata di fusibile idoneo.
- Controllare che la tensione nominale dell'unità sia la stessa della rete elettrica.
- Controllare che la potenza elettrica, il tipo e la lunghezza delle lampade siano idonei all'unità utilizzata.
- Controllare che le lampade siano state installate correttamente.
- Controlla la programmazione dell'app o usa il cursore di sostituzione.

SEZIONE MANUTENZIONE - Pulizia: Scollegare dalla rete elettrica e attendere che l'apparecchio si sia raffreddato prima di pulirlo; in questo modo, non solo si eviteranno sbavature, ma si ridurrà la probabilità di eventuali danni per via dell'ingresso di umidità nell'apparecchio. Una pulizia regolare ottimizzerà l'aspetto e le prestazioni dell'unità d'illuminazione. Per pulire il corpo dell'unità basta utilizzare un panno umido.

INFORMAZIONI SUL RICICLAGGIO AL TERMINE DELLA VITA IN SERVIZIO - Questo prodotto è coperto dalla Direttiva Europea 2002/96/EC. Non smaltire questo prodotto o le lampade di ricambio con i rifiuti domestici. Per smaltire il prodotto in modo sicuro e responsabile, assicurarsi che tutti i componenti siano portati al centro di riciclaggio comunale più vicino, nelle aree idonee allo smaltimento di questo tipo di componente. Uno smaltimento idoneo di questo prodotto previene potenziali conseguenze negative sull'ambiente e la salute umana. Tutti i componenti elettronici (inclusi l'alimentatore e il portalampana) devono essere portati nell'area di smaltimento dei rifiuti elettronici presso il centro di riciclaggio.

ProT5 - Se una lampada fluorescente è fornita con questo prodotto, essa conterrà mercurio e non deve essere smaltita con i normali rifiuti domestici; deve essere portata al centro di riciclaggio comunale e depositata nell'area pertinente o a un centro di riciclaggio per lampade fluorescenti autorizzato.

ES

PRODUCTO LUMENIZE E INSTRUCCIONES DE LA APP

NO INSERTE LÁMPARAS NI CONECTE OTROS KITS CUANDO LA ALIMENTACIÓN ESTÁ ENCENDIDA. RIESGO DE FALLO NO CUBIERTO POR LA GARANTÍA.

Instalación de la lámpara T5. Con el cable de alimentación desconectado, desbloquee los cierres de la lámpara y retire los soportes de goma de la lámpara tirando suavemente hacia arriba. Conéctelos directamente en la lámpara T5 teniendo cuidado de que los pines estén alineados con los conectores dentro de los soportes de la lámpara (no lo fuerce). Cuando ambos soportes de la lámpara estén totalmente conectados, empujelos completamente dentro de la lámpara LumenIZE T5, asegurándose de que los pines estén alineados y completamente conectados. Vuelva a colocar los clips de cierre de la lámpara en la posición de boqueo.

No coloque lámparas de calor encima o muy cerca de estas lámparas. Asegure un flujo de aire adecuado alrededor de las lámparas. Esto le ayudará a prolongar la vida y los programas de funcionamiento.

La Norma IP65. IP65 indica el nivel probado de resistencia al agua que protegerá la lámpara y la luminaria de la humedad, la condensación y el polvo. Los productos Arcadia Reptile T5 y la Barra LED JungleDawn 'LumenIZE' han sido probados según la norma IP65 y están clasificados como 'resistentes al agua'. Se debe evitar una pulverización fuerte sobre la lámpara; Sin embargo, es posible el uso normal de pulverizadores, humidificadores y sistemas de lluvia. Asegúrese de no colocar dispositivos de lluvia o nebulización cuyas emisiones vayan directamente o por encima de las lámparas. No sumerja la lámpara en el agua, protéjala de los chorros de agua directos.

NO UTILICE CON TEMPORIZADORES SI EL PRODUCTO ESTÁ CONECTADO A LA APLICACIÓN, los productos LumenIZE, cuando están conectados a la aplicación LumenIZE, tienen un reloj integrado con una batería de respaldo. Si se utilizan temporizadores*, estos eliminarán toda la energía de la lámpara y agotarán la energía innecesariamente. *enchufes de luz con termostato, #inteligente, #mecánico,

#digital. Conecte directamente a la red eléctrica. Se recomienda el uso de protectores de sobretensión. Le recomendamos abrir la aplicación y abrir cada una de las lámparas dentro de la aplicación mensualmente. Esto enviará datos de funcionamiento actualizados a la lámpara y también actualizará el reloj.

Abra la aplicación y conecte a cada kit si cambia la zona horaria o para los cambios de horas estacionales. Al hacer esto, la aplicación enviará datos nuevos al reloj de cada barra a medida que se conecta a todas ellas individualmente.

Se pueden programar los ciclos de salida y puesta del sol para ajustarse a la localidad de su especie. Un buen ejemplo podría ser el siguiente. 06.00 = 0%, 11am 100%, 3pm 100%, 7pm 0%. Es esencial terminar cada ciclo en 0%. De esta forma, entre las 6am y 11am la potencia de la lámpara aumentará muy lentamente de 0% a 100% hasta las 11am. A las 11am, la lámpara estará funcionando en toda su potencia. Luego debemos agregar un tiempo de estabilización para mantener la potencia solar del mediodía al 100%. Añadiendo un segundo tiempo del 100% a las 3pm, ordenamos a la lámpara que mantenga la potencia de salida al 100% entre las 11am y 3pm. A partir de las 3pm y hasta las 7pm la potencia de la lámpara comenzará a reducirse muy lentamente hasta que finalmente se apagará completamente a las 7pm. Es con un programa como este que encontramos los patrones de salida y puesta del sol más naturales, pero también reducimos en gran medida el consumo de energía. Si programamos 0% a las 5.59 y un 100% a las 6am y 0% a las 5.30pm estaríamos programando un ciclo antinatural. De esta forma, la lámpara pasará de 0% a 100% entre las 06.00 y las 06.01am. Luego comenzaría a bajar de nuevo muy lentamente del 100% a las 6.01am hasta el 0% a las 5.30pm. No habría salida del sol y un periodo muy breve del 100% desde las 6am pero que disminuye a partir de las 06.02am.

LumenIZE utiliza regulación real en lugar de una salida escalonada, este proceso es más fluido en LED que en T5 debido a la naturaleza de las lámparas fluorescentes y al requisito de una resistencia constante. Los relojes internos tienen una precisión de 2 minutos en promedio y deben refrescarse mensualmente abriendo la lámpara desde la aplicación.

Las lámparas T5 requieren cierta cantidad de energía para arrancar de manera segura. Por lo tanto, con el control LumenIZE hemos programado un mecanismo de 'arranque seguro' en la lámpara. Esto sirve para proteger la lámpara, reducir el balanceo y alargar la vida de la lámpara y del kit. Por lo tanto, si programa una lámpara T5 para funcionar con una potencia de salida baja es recomendable seleccionar un porcentaje que sea superior al 20% de la potencia total. Esto se automatiza cuando el programa está en funcionamiento. Es decir, puede programar una reducción del 0% al 100%, que se ejecutará de forma segura a través de nuestra función de arranque seguro. No se recomienda programar un horario que ordene a la lámpara que se encienda y se apague totalmente dentro de un periodo de media hora o menos. Esto puede confundir la programación y la lámpara permanecerá encendida.

Vinculación: Tanto la ProT5 como la Barra JungleDawn-LED con capacidad para LumenIZE se pueden vincular con la adición de un cable de vinculación (se vende por separado). Las lámparas LumenIZE no se pueden mezclar con las barras ProT5/JungleDawn-LED no LuminIZE. Las Barras ProT5 y JungleDawn LED LumenIZE utilizan conectores distintos, el diseño es diferente debido a la impermeabilidad IP65. Por lo tanto, hay 3 cables de vinculación diferentes disponibles. Esto le permitirá conectar T5 con T5, LED con LED y T5 con LED. Por favor consulte los datos impresos en la barra respecto al número máximo de barras que se pueden vincular en una cadena. La vinculación NO transfiere la programación LumenIZE de una lámpara a otra. Cada lámpara es controlada por una memoria interna que se establece a través de la aplicación Arcadia Reptile LumenIZE. De esta forma, cada lámpara de una cadena vinculada puede tener una programación o función distinta.

CONTROL BÁSICO DE LA APP LUMENIZE

La aplicación LumenIZE ha sido específicamente diseñada para ofrecer un fácil control. La Aplicación es muy intuitiva y no tiene ninguna función inútil o innecesaria. LumenIZE se puede utilizar con la mayoría de los teléfonos móviles y tabletas. Utilice el código QR en la caja del producto, los enlaces de nuestro sitio web o visite la tienda de aplicaciones de su dispositivo.

1. Descargue la aplicación LumenIZE a través del código QR o busque en la tienda de aplicaciones de su proveedor.
2. Acepte el mensaje emergente que le permite funcionar al Bluetooth. Asegúrese de que el Bluetooth esté encendido en su dispositivo antes de intentar conectar la lámpara.
3. Después de instalar la lámpara Arcadia Reptile LumenIZE con la alimentación encendida, la aplicación debería mostrar automáticamente su lámpara por potencia y tipo en 'Device name (Nombre del dispositivo)'. Presione la pantalla dentro de la caja de lámpara y esto seleccionará la lámpara para su control y la pantalla de la APP se llenará de datos. Si realiza una pulsación prolongada sobre el nombre de la lámpara, aparecerá una pantalla emergente que le permitirá cambiar el nombre. (Puede agregar hasta 50 lámparas a una APP). Si su lámpara no aparece automáticamente, por favor presione el botón 'My Devices (Mis Dispositivos)' para iniciar un nuevo escaneado.
4. Si presiona el botón 'full power test (prueba de potencia total)' la lámpara se atenuará hasta el 0% y volverá a encenderse. Esto puede ayudarlo a encontrar una lámpara cuando se utilizan muchas y también puede ser utilizado para actualizar las lámparas.
5. Junto al botón de 'full power test (prueba de potencia total)' hay un 'cog (engranaje)'. Presiónelo para asignar una contraseña a la lámpara* puede no estar disponible en todos los dispositivos.
6. Verá un control deslizante en el centro de la página. Este le permite encender/apagar el ciclo de programación LumenIZE además de obtener un control manual de la lámpara. Si el botón verde dice 'on (encendido)' esto significa que el programa de atenuación preseleccionado se está ejecutando y que el control deslizante de regulación no es operable. Si el botón dice 'off (apagado)' significa que la lámpara está siendo controlada manualmente por el control deslizante. (Por favor consulte el punto 15)
7. LumenIZE cuenta con 2 'ciclos de iluminación' pre-configurados en caso de que quiera usarlos. O puede crear hasta 5 configuraciones personalizadas de su preferencia para un fácil control de la lámpara. Además de esto, cada lámpara puede tener su propio ciclo si lo desea, (la programación es interna de la lámpara, no del dispositivo).
8. Configurar un programa personalizado es muy fácil. Seleccione la lámpara que desea controlar. Presione el modo personalizado 1-5. Presione 'Add time slot (Añadir franja horaria)'. Utilice las ruedas para seleccionar la primera hora en la AM. Esto se debe configurar a través del control deslizante a 0%. Pulse ok. Presione 'Add time slot (Añadir franja horaria)' y agregue la hora en que desea que la lámpara funcione al 100% (podría ser a las 12 del mediodía o similar). Mueva el deslizador hasta 100% en esta franja horaria. Presione nuevamente 'Add time slot (Añadir franja horaria)' y repita el 0% para apagar las luces. Puede tener tantas variaciones y tantos comandos de función de 'time slot (franjas horarias)' como desee. Por ejemplo, podría querer que funcione al 50% durante un tiempo determinado, o prolongar los periodos de menor energía para proporcionar estacionalidad. Con LumenIZE la elección siempre es suya.
9. Cuando ha configurado una función diaria que desea ejecutar es fácil 'copy and paste (copiar y pegar)' en otras lámparas. Simplemente presione 'Save Schedule (Guardar horario)', seleccione otra lámpara y presione 'apply Schedule (aplicar horario)'.
10. Si desea borrar una 'time slot (franja horaria)', simplemente presione prolongadamente sobre el 'clock (reloj)' y aparecerá el botón 'delete time slot (borrar franja horaria)'.
11. Al presionar 'brightness (brillo)' en la parte inferior de la pantalla se mostrará un gráfico de su patrón de iluminación.
12. El botón 'My devices (Mis dispositivos)' escaneará los dispositivos LumenIZE.

13. El botón de 'My animals records (Mis registros de animales)' es una página simple que le permite tomar notas.

14. Actualice cada lámpara mensualmente encendiendo la lámpara y utilizando el botón de 'full power test (prueba de potencia total)'. Esto actualizará el programa y el reloj interno.

15. Si el control manual se pierde en cualquier momento, por favor presione el botón 'full power test (prueba de potencia total)' tres veces y espere. Generalmente esto se debe a una mala señal del Bluetooth o que la lámpara está en medio de un proceso. El control manual regresará cuando el proceso se haya completado. Esto tarda aproximadamente 2 minutos.

16. Los productos LumenIZE LED y HOT5 no se pueden vincular con los kits de Barra LED estándar y ProT5. La aplicación LumenIZE no agrega ningún control a la gama No LumenIZE.

17. Encienda la lámpara normalmente, apague el kit por 3 segundos, luego encienda por 1 segundo, y vuelva a apagar por 3 segundos. Repita este patrón 3 veces y se restaurará la configuración de fábrica. Esto reiniciará la lámpara que está controlando con el interruptor, pero también reiniciará TODAS LAS LÁMPARAS que estén vinculadas en una cadena, por favor elimine la cadena si no desea reiniciar todas las lámparas de la cadena.

18. Cambio de la batería de reserva; Las Barras ProT5 y JungleDawn-LED compatibles con LumenIZE cuentan con una batería interna de reserva. Esto simplemente significa que los programas que configure a través de la aplicación LumenIZE se almacenan dentro de la propia lámpara en lugar de su dispositivo. Esto asegura un funcionamiento continuo del programa en caso de un fallo de energía o cualquier problema con el teléfono. La lámpara no se encenderá en caso de que se produzca un fallo de energía localizado, pero el reloj seguirá funcionando. Esto significa que cuando se restablezca la energía el reloj del producto estará funcionando y la lámpara continuará según la configuración que haya creado. Si elige no utilizar el producto por un periodo de tiempo prolongado y es desconectado de la fuente de alimentación, el reloj seguirá funcionando, lo que agotará la batería. Puede evitar esto utilizando la función de reinicio. La batería interna es una pila estándar CR1220. El promedio de vida de esta batería es de 2 a 3 años en condiciones normales de funcionamiento. Sin embargo, es posible reemplazar la batería. Desconecte completamente la lámpara de la fuente de alimentación (desenchufe). Una vez que la lámpara está desenchufada utilice una herramienta lisa y plana para levantar suavemente la cubierta plástica de la parte superior de la barra, teniendo cuidado de no dañar el sello. Levante la unidad cuidadosamente asegurándose de no estirar el cableado ni tocar los componentes. Retire y reemplace la batería. Asegúrese de que la junta esté en su lugar, coloque firmemente la cubierta plástica, actualice su aplicación y ajuste cualquier configuración que se haya interrumpido.

a. "La marca y logotipos de Bluetooth® son marcas registradas propiedad de Bluetooth SIG, Inc. La marca y logotipos de Auracast™ son marcas registradas propiedad de Bluetooth SIG, Inc. Cualquier uso de esas marcas por parte de [licensee name (nombre del licenciario)] se realiza bajo licencia. Otras marcas y nombres comerciales pertenecen a sus respectivos propietarios."

b. Apple: App Store es una marca registrada de Apple Inc., registrada en los Estados Unidos y otros países y regiones. Google Play es una marca registrada de Google LLC.

c. El producto LumenIZE ha sido diseñado para que pueda ser utilizado con y sin la aplicación LumenIZE. De esta forma, los nuevos productos se pueden encender a una potencia del 100% directamente desde la caja. NO hay ningún método que permita controlar la atenuación fuera del uso de la aplicación LumenIZE. Por lo tanto, la atenuación no es funcional. Para poder beneficiarse de la programación, debe utilizar la aplicación LumenIZE. Si se utiliza un producto usado anteriormente, llegará con la programación preexistente ejecutándose internamente tal y como se había configurado en el uso anterior. Esto se puede anular conectando la lámpara a la Aplicación LumenIZE o a través del proceso de 'restart (reinicio)' indicado en el punto (17).

d. Arcadia, Arcadia Reptile, ProT5, JungleDawn, ShadeDweller, LumenIZE y Wild Re-Creation son todas marcas registradas.

e. Eficiencia energética. En una serie de pruebas en vivo, encontramos que el Producto utilizado con la Aplicación LumenIZE durante un ciclo de 9 horas y con una potencia de salida de 100% durante 4 horas ahorra un 30% de electricidad* en comparación con lámparas no regulables utilizadas en el mismo periodo. La duración del ciclo diurno, la graduación de la curva de regulación y el periodo de funcionamiento al 100% de la potencia tienen un impacto en el ahorro promedio. * Prueba citada 8w ShadeDweller-Pro. 100% de potencia por 9 horas = 0.07kwh. 8w ShadeDweller-Pro con control LumenIZE = 0.05kwh, funcionando a 246v 50Hz. Medido con un medidor Ketotek.

f. El uso de la aplicación Arcadia Reptile LumenIZE es gratuito siempre que sea posible*. Las funciones mencionadas dentro de este documento se han probado en la mayoría de dispositivos. Sin embargo, no garantizamos que cada función funcionará según lo indicado en cada dispositivo o a través de cada proveedor de programas de aplicaciones. Por favor, utilice la 'app updates (actualización de aplicaciones)' siempre que sea necesario para corregir cualquier error e instalar cualquier función nueva. Los detalles de las actualizaciones se publicarán en nuestro sitio web y redes sociales. Puede solicitar asesoramiento, y reportar errores a info@arcadia-reptile.com. Traducción de la App: tenemos un programa de detección automática dentro de la aplicación que busca el idioma más común vinculado a su proveedor de IP o dispositivo. Estas traducciones han sido proporcionadas de buena fe y para que sean lo más precisas posible. No es posible seleccionar un idioma de preferencia en este momento. * Nos reservamos el derecho a cobrar por ciertas funciones adicionales opcionales en el futuro.

INSTRUCCIONES DE SEGURIDAD, INSTALACIÓN Y MANTENIMIENTO

GUARDE ESTAS INSTRUCCIONES PARA CONSULTA FUTURA. LEA Y SIGA TODAS LAS INSTRUCCIONES DE SEGURIDAD.

PELIGRO - Para evitar una posible sacudida eléctrica, debe tenerse cuidado especial si se emplea agua en el uso del equipo de vivero. Para cada una de las situaciones siguientes, no intente realizar reparaciones por su cuenta; devuelva el aparato al centro de servicio autorizado o deséchelo. Este producto está diseñado para uso interior y la Iluminación de viveros y aviarios solamente y proporcionará una vida de servicio buena y segura, siempre y cuando se sigan estas instrucciones. En caso contrario pueden ocurrir serias lesiones personales o daños a la propiedad. Si tiene alguna duda sobre la instalación o funcionamiento de este producto, consulte un electricista cualificado y experimentado. Antes de continuar compruebe que los nominales de voltaje y frecuencia indicados en la etiqueta del producto corresponden a su suministro eléctrico.

ADVERTENCIA - Para prevenir cualquier lesión, deben observarse precauciones de seguridad básicas, incluidas las siguientes:

- Antes de cualquier tarea de mantenimiento en la luminaria desconecte la misma del tomacorriente de la red eléctrica. Nunca tire del cordón para retirar el enchufe del tomacorriente, en lugar de ello tire del enchufe mismo para desconectarlo.
- La luminaria puede CALENTARSE. No toque nunca la luminaria mientras está funcionando, antes de realizar cualquier tarea de mantenimiento deje que pase tiempo suficiente para que se enfríe.
- Esta luminaria tiene clasificación IP65 resistente al agua, no permita chorros directos sobre la unidad ni la sumerja.

- Si componentes eléctricos del aparato se humedecen, desenchufe el aparato inmediatamente. Si el aparato muestra alguna señal de fuga de agua, desconéctelo inmediatamente de la fuente de alimentación.
- No utilice el aparato para un uso distinto al que tiene destinado. No se recomienda el uso de accesorios que no sean de Arcadia ya que pueden causar una situación peligrosa.
- No instale o guarde el aparato en un lugar donde esté expuesto a condiciones meteorológicas extremas o a temperaturas inferiores a la de congelación.
- No haga funcionar la luminaria con lámparas defectuosas –el circuito puede dañarse. Cambie las lámparas inmediatamente por una lámpara del tipo y vataje correctos. Es aconsejable tener disponibles lámparas de repuesto.
- Las lámparas que producen UV son dispositivos potentes que pueden provocar quemaduras UV rápidamente. Tenga cuidado de no exponer directamente la piel a las lámparas cuando estén encendidas.

LAMP INSTALLATION - Asegúrese de que las lámparas son del tipo y vataje correctos.

INSTALACIÓN FÍSICA - Seleccione un lugar adecuado cerca de su fuente de alimentación. No conecte el aparato al tomacorriente de la red eléctrica durante la instalación. Para una máxima vida útil de los aparatos, siempre conecte los cables de alimentación a los aparatos antes de enchufarlos a la pared. Asegúrese de que la unidad esté apagada antes de instalar la lámpara. Este aparato es para uso interior solamente. Asegúrese de que el aparato se mantenga en un área ventilada y apartado de otras fuentes de calor. Asegúrese de que la luz del aparato está dirigida correctamente dentro del vivero. Coloque la luminaria en la posición deseada, o bien encima de la malla del vivero o atornillada a la parte superior del vivero. Asegúrese de que el cable de alimentación de la luminaria se mantenga fuera del alcance de animales que podrían morderlos o dañarlos.

INSTALACIÓN ELÉCTRICA - Antes de la instalación, asegúrese de que los nominales de voltaje y frecuencia de la luminaria corresponden a los de su fuente de alimentación y que el cable de alimentación es completamente compatible con el tomacorriente de su red eléctrica. Si tiene alguna duda, devuelva la unidad al punto de venta para que se verifique. Enchufe la luminaria en el tomacorriente de la red.

RESOLUCIÓN DE PROBLEMAS - Las lámparas fluorescentes se encienden casi inmediatamente con casi su brillo completo (según la temperatura ambiente) y alcanzan su temperatura operativa poco después. Después de apagar las lámparas fluorescentes, pueden volver a encenderse inmediatamente. Si la luminaria no se enciende:

- Compruebe que la corriente de la red está conectada y activada tanto por el tomacorriente de pared y por la luminaria.
- Compruebe que el enchufe de la luminaria incorpora un fusible correcto.
- Compruebe que el voltaje nominal de la luminaria corresponde al de la fuente de alimentación que está utilizando.
- Compruebe que las lámparas son del vataje, tipo y longitud correctos para la luminaria.
- Compruebe que las lámparas están instaladas correctamente.
- Verifique la programación de la aplicación o use el control deslizante de anulación.

SECCIÓN DE MANTENIMIENTO - Limpieza: Desconecte la luminaria de la fuente de alimentación y espere a que se enfríe antes de limpiarla, esto no sólo evita manchas sino que además reduce las posibilidades de daños causados por humedad que penetre en la luminaria. Tanto el aspecto como el rendimiento de su luminaria puede ser mejorado por una limpieza regular. Normalmente un paño húmedo es adecuado para limpiar el cuerpo.

FIN DEL USO - INFORMACIÓN DE RECICLAJE - Este producto está cubierto por la Directiva Europea 2002/96/EC. No deseche este producto o lámparas junto con su basura doméstica normal. Para desechar este producto de una forma segura y responsable asegúrese de que todos los componentes se depositen en las áreas apropiadas de su centro de reciclaje municipal local. La eliminación correcta de este producto ayuda a prevenir posibles efectos negativos para el entorno y la salud humana. Todos los componentes electrónicos (esto incluye la fuente de alimentación y el portalámparas) deben colocarse en el área de reciclaje de desechos electrónicos.

ProT5 - Si con este producto se suministra una lámpara fluorescente, ésta contiene mercurio y no puede desecharse con la basura doméstica normal; debe depositarse en el área de reciclaje de lámparas fluorescentes de su centro de reciclaje municipal local o llevarse a cualquier punto aprobado para el reciclaje de lámparas fluorescentes.

NL

LUMENIZE PRODUCT- EN APP-INSTRUCTIES

PLAATS GEEN LAMPEN EN VERBIND GEEN ANDERE SETS TERWIJL DE STROOM IS INGESCHAKELD. RISICO OP DEFECTEN WORDT NIET GEDEKT DOOR DE GARANTIE.

T5 lamp installeren. Verwijder de stroomkabel door de lampvergrendelingen los te klikken en verwijder de rubberen lamphouders door ze voorzichtig omhoog te trekken. Steek deze rechtstreks op de T5-lamp en zorg ervoor dat de pinnen in lijn liggen met de bussen in de lamphouders (niet forceren). Wanneer beide lamphouders volledig op de lamp zijn gedrukt, drukt u ze samen volledig in de LumenIZE T5 fitting, waarbij u ervoor zorgt dat de pinnen op één lijn liggen en volledig in de staaf worden gedrukt. Plaats de lampvergrendelingsklemmen terug in de vergrendelde positie.

Plaats geen warmtelampen boven of dichtbij deze lampen. Zorg voor voldoende luchtstroom rond de lampen. Dit verlengt de levensduur en de gebruiksprogramma's.

De IP65-norm. IP65 geeft het geteste niveau van waterbestendigheid aan dat de lamp en fitting beschermt tegen gebruikelijke vochtigheid, condensatie en stof. Arcadia Reptile T5 en JungleDawn-LED Bar 'LumenIZE' producten zijn getest volgens de IP65-norm en zijn geclassificeerd als 'waterbestendig'. Directe krachtige besproeiing van de armaturen moet worden vermeden; het gebruikelijke gebruik van sproeiers, luchtbevochtigers en regensystemen is echter mogelijk. Let erop dat u geen regen- of mistapparaten zo plaatst dat ze of direct op de fittingen spuiten. Dompel de fitting niet onder, bescherm deze tegen directe waterstralen.

GEBRUIK HET NIET MET TIMERS ALS HET PRODUCT OP DE APP GEKOPPELD IS, LumenIZE producten die op de LumenIZE app aangesloten zijn, hebben een ingebouwde klok met een back-up batterij. Als er timers* worden gebruikt, wordt alle stroom uit de armatuur verwijderd als deze uit staat, waardoor de batterij onnodig leeg raakt. *#thermostaatverlichtingsdozen, #smart, #mechanisch, # digitaal. Rechtstreks op het lichtnet aansluiten. Overspanningsbeveiliging wordt aangeraden.

Wij raden u aan om de app te openen en elke lamp maandelijks binnen de app te openen. Hierdoor worden actuele bedrijfsgegevens naar de lamp gestuurd en wordt ook de klok vernieuwd.

Open de app en maak verbinding met elke kit als u van tijdzone verandert, of voor seizoensgebonden tijdveranderingen. Op die manier stuurt de app nieuwe gegevens naar de klok naar elke staaf terwijl u ze allemaal afzonderlijk verbindt.

De cycli van zonsopgang en zonsondergang kunnen worden geprogrammeerd voor de locatie van uw soort. Een goed voorbeeld zou er zo uit kunnen zien. 06.00 = 0%, 11.00 100%, 15.00 100%, 19.00 0%. Het is essentieel om elke cyclus af te sluiten op 0%. Op deze manier zal de output van de lamp tussen 6 uur 's ochtends en 11 uur 's ochtends langzaam toenemen van 0% output tot 100% output tot 11 uur 's ochtends. Om 11 uur 's ochtends draait de lamp op vol vermogen. We moeten dan een stabilisatietijd toevoegen om het middagvermogen van de zon op 100% te houden. Door om 15.00 uur een tweede tijd van 100% toe te voegen, instrueren we de lamp om tussen 11.00 en 15.00 uur 100% output te handhaven. Vanaf 3 uur 's middags tot 7 uur 's avonds zal de output van de lamp heel langzaam afnemen totdat het uiteindelijk 7 uur 's avonds wordt en de lamp volledig uitschakelt. Binnen een programma als dit vinden we het meest natuurgetrouwe zonsopgang-zonsondergang-patroon, maar besparen we ook veel energie. Als we 05.59 uur op 0% zouden programmeren en 6.00 uur 100% en 17.30 uur 0%, zouden we een onnatuurlijke cyclus programmeren. Op deze manier zou de lamp tussen 06.00 en 06.01 uur van 0% naar 100% gaan. Daarna zou hij weer heel langzaam van 100% om 06.01 uur en 0% om 17.30 uur naar beneden gaan. Er zou geen zonsopgang zijn en een zeer korte periode van 100% output vanaf 06.00 uur, maar afnemend vanaf 06.02 uur.

LumenIZE gebruikt echt dimmen, geen getrapte output, dit proces verloopt vloeiender bij LED dan bij T5 vanwege de aard van fluorescentielampen en de vereiste voor constante elementverwarming. Interne klokken zijn gemiddeld tot 2 minuten nauwkeurig en moeten ververst worden door de lamp maandelijks op de app te openen.

T5-lampen hebben een bepaalde hoeveelheid energie nodig om veilig te kunnen starten. Daarom hebben wij met de LumenIZE-regeling een 'veilige start'-mechanisme in de functie van de fitting geprogrammeerd. Dit is om de lamp te beschermen, het rollen te verminderen en een lange levensduur van de lamp en de set te garanderen. Daarom raden wij u aan om bij het programmeren van een T5-lamp die op een laag % van het vermogen moet werken, een % te selecteren dat meer dan 20% van het totale vermogen is. Dit wordt geautomatiseerd wanneer het programma draait. U kunt dus een vermindering van 0% tot 100% programmeren en dit zal veilig worden uitgevoerd door de interne programmering via onze veilige-startfunctie. Het wordt niet aangeraden om een tijdschema uit te voeren dat een lamp instrueert om binnen een periode van een half uur of korter volledig aan en weer uit te gaan. Hierdoor kan de programmering in de war raken en zal de lamp blijven branden.

Koppeling; Zowel ProT5 als JungleDawn-LED Bar met LumenIZE mogelijkheid kunnen worden gekoppeld met behulp van een geschikte koppelingskabel (apart verkrijgbaar). Fittingen van het merk LumenIZE kunnen niet worden gemengd met niet-LumenIZE ProT5/JungleDawn-LED Bar. LumenIZE ProT5 en JungleDawn-LED Bar gebruiken verschillende stekkers, het ontwerp is anders vanwege de IP65 waterdichtheid. Daarom zijn er 3 verschillende verbindingkabels apart verkrijgbaar. Hiermee kunt u T5 op T5 of LED op LED en T5 op LED aansluiten. Zie de gegevens op de staaf voor het maximale aantal staafjes dat in een ketting gekoppeld kan worden. Door te koppelen wordt de LumenIZE-programmering NIET van lamp naar lamp overgedragen. Elke lamp wordt bestuurd via het interne geheugen en zoals ingesteld via de Arcadia Reptile LumenIZE App. Op deze manier kan elke lamp in een gekoppelde ketting een ander functieprogramma hebben.

BASIS LUMENIZE APP BEDIENING

De LumenIZE APP is speciaal ontworpen om bedieningsgemak te bieden. De APP is zeer intuïtief en heeft geen verspillende of onnodige functies. LumenIZE kan gebruikt worden met de meeste telefoons en tablets. Gebruik de QR-code op de productdoos, links op onze website of bezoek de App provider store op uw apparaat.

1. Download de LumenIZE APP via de QR code of zoek in de store van uw APP provider.
2. Accepteer het pop-up bericht dat Bluetooth toestaat. Zorg ervoor dat Bluetooth is ingeschakeld voor uw apparaat voordat u verbinding probeert te maken met een lamp.
3. Na het installeren van de Arcadia Reptile LumenIZE lamp en met de stroom aan, zou de APP automatisch uw lamp op wattage en type moeten weergeven onder "Device name" (Apparaatnaam). Druk op het scherm in het lampvak om de lamp te selecteren voor bediening en het APP-scherm zal zich vullen met gegevens. Als u de naam van de lamp "ingedrukt houdt", verschijnt er een pop-up waarmee u de naam van de lamp kunt wijzigen. (U kunt tot 50 lampen aan één App toevoegen). Als uw lamp niet automatisch verschijnt, druk dan op de knop "My Devices" (Mijn apparaten) om een nieuwe scan te starten.
4. Als u op de knop "Full Power Test" drukt, zal de lamp tot 0% gedimd worden en weer aangaan. Dit kan u helpen om een lamp te vinden die veel gebruikt wordt en kan ook gebruikt worden om lampen te verversen.
5. Naast de knop "vol vermogen testen" zit een "tandwiel". Druk hierop om een wachtwoord per lamp in te stellen* is mogelijk niet op alle apparaten beschikbaar.
6. U ziet een schuifbalk centraal op de pagina. Hiermee kunt u uw LumenIZE cyclusprogramma aan/uit zetten, maar ook een lamp handmatig bedienen. Als op de groene knop "aan" staat, betekent dit dat uw voorgeselecteerde dimprogramma loopt en dat de dimschuifbalk niet te bedienen is. Als er "uit" op de knop staat, betekent dit dat het automatisch gedimde programma "uit" staat en dat de lamp met de hand bediend wordt met de schuifknop. (zie ook punt 15).
7. LumenIZE heeft 2 vooraf ingestelde "Lichtcycli", mocht u die willen gebruiken. Of u kunt tot 5 aangepaste instellingen naar keuze maken om de lampen eenvoudig te bedienen. Bovendien kunt u voor elke lamp ook eigen cycli programmeren als u dat wilt (de programmering is intern in de lamp, niet in het apparaat).
8. Het instellen van een programma op maat is eenvoudig. Selecteer de lamp die u wilt bedienen. Druk op "Aangepaste modus 1-5". Druk op "Tijdslot toevoegen". Gebruik de wieltjes om uw eerste tijd in de AM te selecteren. Dit moet via de schuifknop op 0% worden ingesteld. Druk op ok. Druk op "Tijdslot toevoegen" en voer de tijd in waarop u de lamp op 100% wilt laten branden (dit kan 12 uur 's middags of iets dergelijks zijn). Beweeg de schuifregelaar naar 100% in dit tijdslot. Druk nogmaals op "Tijdslot toevoegen" en herhaal dit met 0% voor het doven van de lichten. U kunt elke variatie en zoveel 'tijdslot'-functiecommando's gebruiken als u wilt. U kunt bijvoorbeeld gedurende een bepaalde tijd met 50% uit willen werken, of perioden met minder energie willen verlengen om seizoensinvloeden te voorkomen. De keuze is altijd aan u met LumenIZE.
9. Wanneer u de dagelijkse functie die u wilt uitvoeren hebt ingesteld, kunt u deze eenvoudig "kopieren en plakken" naar andere lampen. Druk gewoon op "Schema opslaan", selecteer een andere lamp en druk op "Schema toepassen".
10. Als u een "tijdslot" wilt verwijderen, houdt u dat tijdslot boven de "klok" en verschijnt er een knop "tijdslot verwijderen".
11. Als u onderin het scherm op "brightness" (helderheid) drukt, krijgt u een grafiek te zien van uw verlichtingspatroon.
12. De knop "Mijn apparaten" scant naar LumenIZE-apparaten.

13. De knop "Mijn diergegevens" is gewoon een pagina waarop u notities kunt maken.
14. Ververs elke lamp maandelijks door op de lamp te drukken en de knop "Volledig vermogen testen" te gebruiken. Hierdoor worden het programma en de interne klok vernieuwd.
15. Als de handmatige bediening op een bepaald moment wegvalt, druk dan 3 keer op de "full power test" knop en wacht. Meestal is dit een slecht Bluetooth-signaal of is de lamp al halverwege een proces. De handmatige bediening keert terug wanneer het proces voltooid is. Dit is meestal binnen 2 minuten.
16. LumenIZE LED en HOT5 producten zijn niet compatibel met de standaard LED Bar en ProT5 kits voor het koppelen. De LumenIZE app voegt geen controle toe aan het Non-LumenIZE assortiment.
17. Zet de lamp aan zoals gewoonlijk, zet de kit 3 seconden uit, dan 1 seconde aan, dan 3 seconden uit, dan 1 seconde aan, dan 3 seconden uit. Herhaal dit patroon 3 keer om de fabriekinstellingen te herstellen. Dit zal de lamp die met de schakelaar wordt bediend resetten, maar zal ook ALLE lampen in een keten resetten als ze gekoppeld zijn. Verwijder het koppelen als u niet alle lampen in de keten wilt resetten.
18. Back-up batterijwissel; ProT5 en JungleDawn-LED Bars met geïntegreerde LumenIZE mogelijkheid zijn uitgerust met een interne back-up batterij. Dit betekent simpelweg dat de programma's die u instelt via de LumenIZE app in de lamp zelf worden opgeslagen en niet op uw apparaat. Dit zorgt ervoor dat het programma en de klok blijven werken in het geval van een stroomstoring of problemen met uw telefoon. De lamp zal niet branden bij een plaatselijke stroomstoring, maar de klok zal blijven werken. Dit betekent dat wanneer de stroomtoevoer naar het product wordt hersteld, de klok nog steeds loopt en de lamp doorgaat binnen de instellingen die u hebt gemaakt. Als u ervoor kiest om het product langere tijd niet te gebruiken en het van de stroom wordt losgekoppeld, blijft de klok lopen, waardoor de batterij leegraakt. U kunt dit stoppen door de resetfunctie te gebruiken. De interne batterij is een CR1220 standaardbatterij. De gemiddelde levensduur van deze batterij is 2-3 jaar bij normaal gebruik. De batterij kan echter vervangen worden. Verwijder alle stroom van de lamp (trek de stekker uit het stopcontact). Zorg ervoor dat de stekker van de lamp uit het stopcontact is en gebruik een glad, plat voorwerp om de plastic afdekking van de bovenkant van de staaf voorzichtig omhoog te tillen, waarbij u erop let dat u de afdekking niet beschadigt. Til het apparaat er voorzichtig uit en zorg ervoor dat u de bedrading niet uitrekt en de onderdelen niet aanraakt. Verwijder en vervang de batterij. Zorg ervoor dat de verzegeling op zijn plaats zit, plaats het plastic deksel stevig terug in het apparaat, vernieuw uw app en pas eventuele onderbroken instellingen aan.
 - a. "Het Bluetooth®-woordmerk en de Bluetooth®-logo's zijn gedeponeerde handelsmerken van Bluetooth SIG, Inc. Het Auracast™ woordmerk en logo's zijn handelsmerken in eigendom van Bluetooth SIG, Inc. Elk gebruik van deze merken door [naam licentiehouders] gebeurt onder licentie. Andere handelsmerken en handelsnamen zijn eigendom van hun respectieve eigenaars."
 - b. Apple: App Store is een handelsmerk van Apple Inc, geregistreerd in de VS en andere landen en regio's. Google Play is een handelsmerk van Google LLC.
 - c. Het LumenIZE product is zo ontworpen dat het gebruikt kan worden met of zonder gebruik van de LumenIZE app. Op deze manier kunnen nieuwe producten direct vanuit de box worden ingeschakeld op een vooraf ingestelde 100% output. Er is GEEN methode om dit product te dimmen buiten het gebruik van de LumenIZE app. Daarom is dimmen niet functioneel. Om te kunnen profiteren van de programmering, moet de LumenIZE-app worden gebruikt. Als een eerder gebruikt product wordt gebruikt, dan zal het product worden geleverd met het reeds bestaande programma dat intern is ingesteld tijdens het vorige gebruik. Dit kan ongedaan worden gemaakt door de lamp aan te sluiten op de LumenIZE App of via het 'herstart'-proces dat in punt (17) wordt gegeven.
 - d. Arcadia, Arcadia Reptile, ProT5, JungleDawn, ShadeDweller, LumenIZE en Wild Re-Creation zijn allemaal geregistreerde handelsmerken.
 - e. Energie-efficiëntie. Uit een reeks live tests is gebleken dat het product dat met de LumenIZE App wordt gebruikt gedurende een cyclus van 9 uur en met een volledige 100% output van 4 uur, 30% van de gebruikte elektriciteit* bespaart in vergelijking met niet-dimmende lampen die gedurende dezelfde periode worden gebruikt. De lengte van de dagcyclus, de gradatie van de dimcurve en de periode dat de lampen op 100% lichtopbrengst branden, hebben invloed op deze gemiddelde besparing. * Genoteerde test 8w ShadeDweller-Pro. 100% output gedurende 9 uur = 0,07kwh. 8w ShadeDweller-Pro met LumenIZE regeling = 0,05kwh. bij 246v 50hz. Gemeten met Ketotek meter.
 - f. Het gebruik van de Arcadia Reptile LumenIZE App is waar mogelijk gratis*. De functies in dit document zijn getest op de meeste apparaten. Wij garanderen echter niet dat elke functie op elk apparaat of via elke provider van App-programma's werkt zoals vermeld. Maak gebruik van "app updates" wanneer deze worden weergegeven om bugs te repareren en nieuwe functies te installeren. Details over updates worden op onze websites of sociale media gepubliceerd. U kunt advies krijgen van, en bugs melden aan info@arcadia-reptile.com App vertalingen: wij hebben een auto-detect programma in de App dat moet zoeken naar de meest voorkomende taal die gekoppeld is aan uw IP provider of apparaat. Deze vertalingen zijn te goeder trouw gemaakt en zo nauwkeurig mogelijk. Het is op dit moment niet mogelijk om een taal van uw voorkeur te selecteren. * Wij behouden ons het recht voor om in de toekomst kosten in rekening te brengen voor bepaalde extra optionele functie-updates.

er onmiddellijk uithalen. Als de apparatuur tekenen van waterlekage vertoont, moet u de stekker onmiddellijk uit het stopcontact halen.

- Gebruik dit apparaat alleen voor de bedoelde toepassing. Het gebruik van bevestigingen of accessoires die niet van Arcadia zijn, wordt niet aanbevolen en kan onveilige omstandigheden tot gevolg hebben.
- Het apparaat niet installeren of opbergen op een plaats waar het apparaat aan extreem weer of temperaturen onder het vriespunt wordt blootgesteld.
- Bedien de lichtarmatuur niet met kapotte of defecte lampen. Hierdoor kan er kortsluiting optreden. Vervang de lampen direct door een lamp met hetzelfde type en wattage. We raden u aan reservelampen in voorraad te houden.
- UV-producerende lampen zijn krachtige apparaten die snel tot UV-brandwonden kunnen leiden. Zorg ervoor dat de huid niet direct wordt blootgesteld aan lampen wanneer deze zijn ingeschakeld.

INSTALLATIE VAN DE LAMP - Zorg dat de lampen beschikken over het correcte type en wattage.

FYSIEKE INSTALLATIE - Selecteer een geschikte plek in de buurt van een stopcontact. Sluit uw apparaat tijdens de installatie niet aan op de stroom. Voor een maximale levensduur van de armatuur moeten de stroomkabels altijd aan de armatuur worden bevestigd voordat ze in de muur worden gestoken. Zorg ervoor dat het apparaat is uitgeschakeld voordat de lamp wordt geïnstalleerd. Dit apparaat is alleen ontworpen voor binnengebruik. Het apparaat moet in een geventileerde ruimte worden geplaatst, uit de buurt van andere warmtebronnen. Zorg dat het licht van het apparaat is gericht op een plek in het vivarium. Plaats de lichtkap in de gewenste positie, op de gaasafdekking van het vivarium of met schroeven op het vivarium vastgedraaid. Zorg dat het netsnoer en de lichtkap goed uit de buurt blijft van dieren die erin zouden kunnen bijten of het snoer zouden kunnen beschadigen.

ELEKTRISCHE INSTALLATIE - Zorg voor de installatie dat het voltage en de frequentie van de lamp overeenkomen met het voltage en de frequentie van uw stroomtoevoer en dat de stekker past in het stopcontact. Als u twijfelt, retourneert u de eenheid naar de winkel waar u hem heeft gekocht om dit te controleren. Steek de stekker van de lichtkap in het stopcontact.

PROBLEEM OPLOSSEN - Fluorescerende lampen gaan bijna onmiddellijk aan met bijna de volledige helderheid (afhankelijk van de omgevingstemperatuur) en bereiken snel daarna de bedrijfstemperatuur. Als u fluorescerende lampen uitschakelt, kunnen ze direct weer worden ingeschakeld. Als de lamp niet aan gaat:

- Controleer of de stroom van het stopcontact en de timer is ingeschakeld.
- Controleer of de zekering van de lichtarmatuur niet is doorgeslagen.
- Controleer of de lamp hetzelfde voltage heeft als uw stroomtoevoer.
- Controleer of de peertjes het correcte wattage, type en lengte voor de lamp hebben.
- Controleer of de lampen correct zijn geïnstalleerd.
- Controleer App-programmering of gebruik de overschrijfschuifregelaar.

ONDERHOUD - Reinigen: De lichtarmatuur mag uitsluitend worden gereinigd wanneer de eenheid van de netvoeding losgekoppeld en afgekoeld is. Dit voorkomt niet alleen kleefplekken, maar vermindert ook het gevaar van binnendringend vocht in de eenheid. Zowel het uiterlijk als de prestatie van uw lichtarmatuur zullen profiteren van regelmatig schoonmaken. Een vochtige doek is doorgaans voldoende om het apparaat te reinigen.

RECYCLINGINFORMATIE BIJ HET EINDE VAN DE LEVENSDUUR - Dit product voldoet aan de Europese richtlijn 2002/96/EC. Gooi dit product of nieuwe lampen niet bij het gewone huisvuil weg. Als u het product op een veilige en verantwoordelijke manier wilt weggoien, moet u ervoor zorgen dat alle onderdelen worden afgedankt in het relevante gedeelte van uw lokale recyclingcentrum. Het correct wegdoen van dit product helpt mogelijke negatieve gevolgen voor het milieu en de volksgezondheid voorkomen. Alle elektronische onderdelen (inclusief het netsnoer en de lamphouder) moeten in het recyclinggebied voor elektronisch afval worden geplaatst

ProT5 - Als er een fluorescerende lamp met dit product is meegeleverd, bevat dit kwik en kan niet met het normale huisvuil worden weggedaan. De lamp moet in het recyclinggebied voor fluorescerende lampen van uw plaatselijke recyclingcentrum worden geplaatst of naar een erkend recyclingpunt voor fluorescerende lampen worden gebracht.

VEILIGHEIDS-, INSTALLATIE- EN ONDERHOUDSINSTRUCTIES

BEWAAR DEZE INSTRUCTIES OM LATER TERUG TE KUNNEN LEZEN. ALLE VEILIGHEIDSINSTRUCTIES LEZEN EN OPVOLGEN.

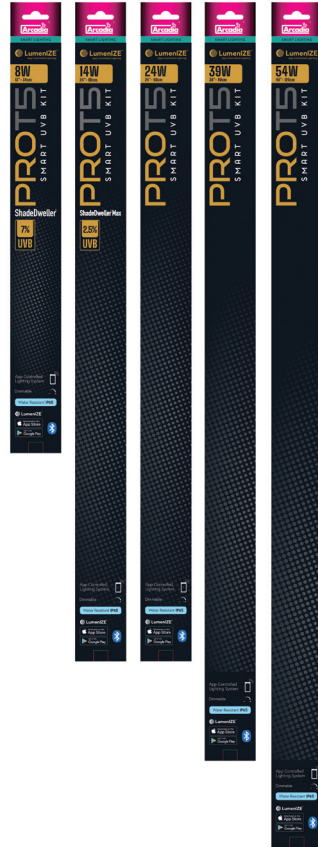
GEVAAR - Om mogelijke elektrische schokken te voorkomen, moet u vooral voorzichtig werken wanneer water wordt toegepast bij het gebruik van vivarium-apparatuur. Voor elk van de volgende situaties mag u niet zelf reparaties proberen uit te voeren. Retourneer het apparaat naar een erkende onderhoudsfaciliteit of ont doe u van het apparaat. Dit product is alleen ontworpen voor binnengebruik en de verlichting van vivariums en voliërs en biedt een goede en veilige levensduur, mits u zich aan deze instructies houdt. Als u dat niet doet, kan dat leiden tot ernstig persoonlijk letsel of schade aan eigendommen. Als u twijfelt over de installatie of werking van dit product, neemt u contact op met een gekwalificeerde en ervaren elektricien. Controleer voordat u verder gaat of de spannings- en frequentieclassificatie op het productlabel identiek is aan uw elektriciteitsnetwerk.

WAARSCHUWING - Ter bescherming tegen verwondingen, moet u zich houden aan de basisvoorzorgsmaatregelen voor de veiligheid, waaronder:

- Ontkoppel de lichtkap van de stroomtoevoer voordat u onderhoud aan de lichtkap uitvoert. Trek nooit aan het snoer om de stekker uit het stopcontact te halen. Pak in plaats daarvan de stekker vast en trek hem eruit.
- De lichtarmatuur kan HEET worden. Raak de lichtarmatuur nooit aan terwijl deze in werking is en laat voldoende tijd verstrijken, zodat de lichtarmatuur kan afkoelen voordat u probeert onderhoud te plegen.
- Dit armatuur is geclassificeerd als IP65 waterbestendig, laat geen directe stralen op de unit toe of onderdompelen.
- Als elektrische onderdelen van de apparatuur nat worden, moet u de stekker van de apparatuur

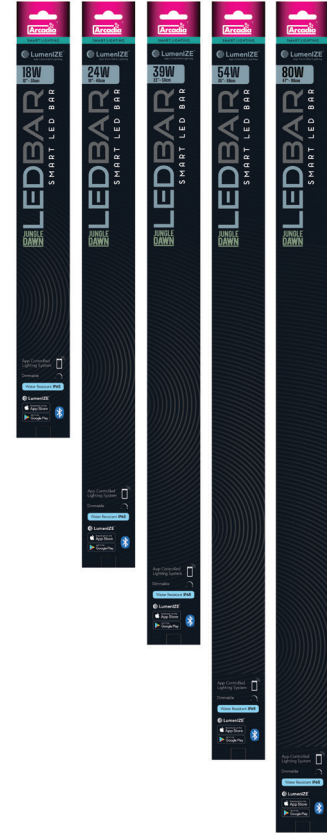
PROTS

Datasheet



LEDBAR

Datasheet



PROTS

UK	EU	US	AU	Watt	Length	UV-B	UV-A	Kelvin	Safe Distance*	Max Link**
RARLZ8S	RARLZ8SX	RARLZ8SZ	RARLZ8SY	8W	34cm / 13"	7%	17%	6000K	25cm / 10"	10
RARLZ14S	RARLZ14SX	RARLZ14SZ	RARLZ14SY	14W	60cm / 24"	2.5%	12%	7000K	10cm / 4"	10
RARLZ24F	RARLZ24FX	RARLZ24FZ	RARLZ24FY	24W	60cm / 24"	6%	30%	7000K	30cm / 12"	10
RARLZ24R	RARLZ24RX	RARLZ24RZ	RARLZ24RY	24W	60cm / 24"	12%	30%	7000K	38cm / 15"	10
RARLZ24D	RARLZ24DX	RARLZ24DZ	RARLZ24DY	24W	60cm / 24"	14%	30%	8000K	38cm / 15"	10
RARLZ39F	RARLZ39FX	RARLZ39FZ	RARLZ39FY	39W	90cm / 36"	6%	30%	7000K	30cm / 12"	10
RARLZ39R	RARLZ39RX	RARLZ39RZ	RARLZ39RY	39W	90cm / 36"	12%	30%	7000K	38cm / 15"	10
RARLZ39D	RARLZ39DX	RARLZ39DZ	RARLZ39DY	39W	90cm / 36"	14%	30%	8000K	38cm / 15"	10
RARLZ54F	RARLZ54FX	RARLZ54FZ	RARLZ54FY	54W	120cm / 48"	6%	30%	7000K	30cm / 12"	8
RARLZ54R	RARLZ54RX	RARLZ54RZ	RARLZ54RY	54W	120cm / 48"	12%	30%	7000K	38cm / 15"	8
RARLZ54D	RARLZ54DX	RARLZ54DZ	RARLZ54DY	54W	120cm / 48"	14%	30%	8000K	38cm / 15"	8

LEDBAR

UK	EU	US	AU	Watt	Length	Lumens	Kelvin	Safe Distance*	Max Link**
RARLJ1	RARLJX	RARLJ1Z	RARLJ1Y	18W	30cm / 12"	2534lm	6200K	12.5cm / 5"	10
RARLJ2	RARLJ2X	RARLJ2Z	RARLJ2Y	24W	48cm / 19"	3447lm	6200K	12.5cm / 5"	10
RARLJ3	RARLJ3X	RARLJ3Z	RARLJ3Y	39W	58cm / 23"	5700lm	6200K	12.5cm / 5"	10
RARLJ4	RARLJ4X	RARLJ4Z	RARLJ4Y	54W	88cm / 35"	7900lm	6200K	12.5cm / 5"	10
RARLJ5	RARLJ5X	RARLJ5Z	RARLJ5Y	80W	118cm / 47"	1100lm	6200K	12.5cm / 5"	8



UK	Class II Luminaire. Double insulated	Do not look directly at light source	For use with Reptiles, Amphibians, Invertebrates & Plants	*Minimum Distance
DE	Leuchte Klasse II. Doppelt isoliert	Schauen Sie nicht direkt auf die Lichtquelle	Zur Verwendung mit Reptilien, Amphibien, Wirbellosen und Pflanzen	*Mindestabstand
FR	Luminaire de classe II. Double isolation	Ne regardez pas directement la source lumineuse	À utiliser avec les reptiles, les amphibiens, les invertébrés et les plantes	*Distance minimale
IT	Apparechio di illuminazione di classe II. Doppio isolamento	Non guardare direttamente la fonte di luce	Per l'uso con rettili, anfibi, invertebrati e piante	*Distanza minima
ES	Luminaria de clase II. Aislamiento doble	No mire directamente a la fuente de luz	Para uso con reptiles, anfibios, invertebrados y plantas	*Distancia minima
NL	Klasse II Armatuur. Dubbel geïsoleerd	Niet rechtstreeks naar de lichtbron kijken	Voor gebruik met reptielen, amfibieën, ongewervelde dieren en planten	*Minimale afstand



IP65 ✓RoHS

UK/EU/AU 220-240V 50Hz
US 110-120V 60Hz

EU Authorised Representative: Comply Express LDA, StartUp Madeira EV41, Campus da Penteadá, 9020 105 Funchal, Portugal.

Monkfield Nutrition Ltd, Arthur Rickwood Farm, Chatteris Road, Mepal, Ely, Cambs CB6 2AZ, United Kingdom / info@arcadia-reptile.com

JBR020